

MODEL : LU-2828-6/LU-2828-7
List No : 1635-01

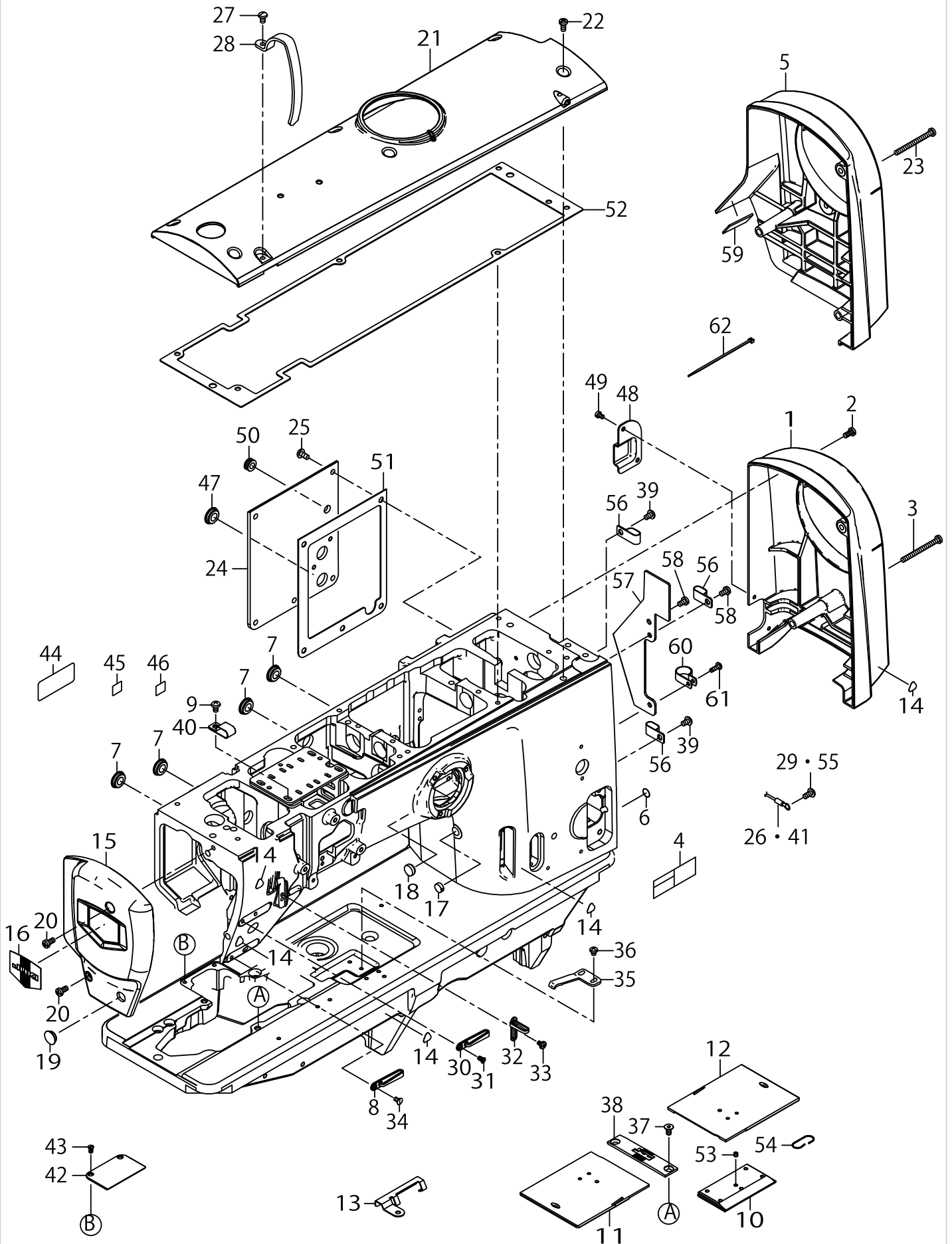
PARTS LIST

Published:08/22/2016

CONTENTS

FRAME & MISCELLANEOUS COVER COMPONENTS	1
MAIN SHAFT & THREAD TAKE-UP LEVER COMPONENTS	5
NEEDLE BAR COMPONENTS	7
LOWER SHAFT COMPONENTS.....	9
OPENNER COMPONENTS	13
HOOK COMPONENTS.....	15
UPPER FEED COMPONENTS.....	17
HAND LIFTER & AUTO LIFTER COMPONENTS.....	21
LOWER FEED COMPONENTS	23
FEED ADJUST COMPONENTS.....	27
DL COMPONENTS.....	31
AUTO BT COMPONENTS (FOR LU-2828-7).....	33
AUTO BT COMPONENTS (FOR LU-2828-6).....	35
6-RANGE SW COMPONENTS.....	37
SPEED ADJUST COMPONENTS (FOR LU-2828-7).....	39
SPEED ADJUST COMPONENTS (FOR LU-2828-6).....	41
THREAD CUTTING COMPONENTS.....	43
THREAD TENSION COMPONENTS	47
TENSION RELEASE COMPONENTS	49
PNEUMATIC COMPONENTS	51
NEEDLE THREAD CLAMP COMPONENTS	53
BOBBIN WINDER COMPONENTS.....	55
LUBRICATION COMPONENTS	57
THREAD STAND COMPONENTS.....	61
BOTTOM COVER & BELT COVER COMPONENTS	63
ACCESSORIES PARTS COMPONENTS	65
LIST FOR INFORMATION OF CHNGE.....	67

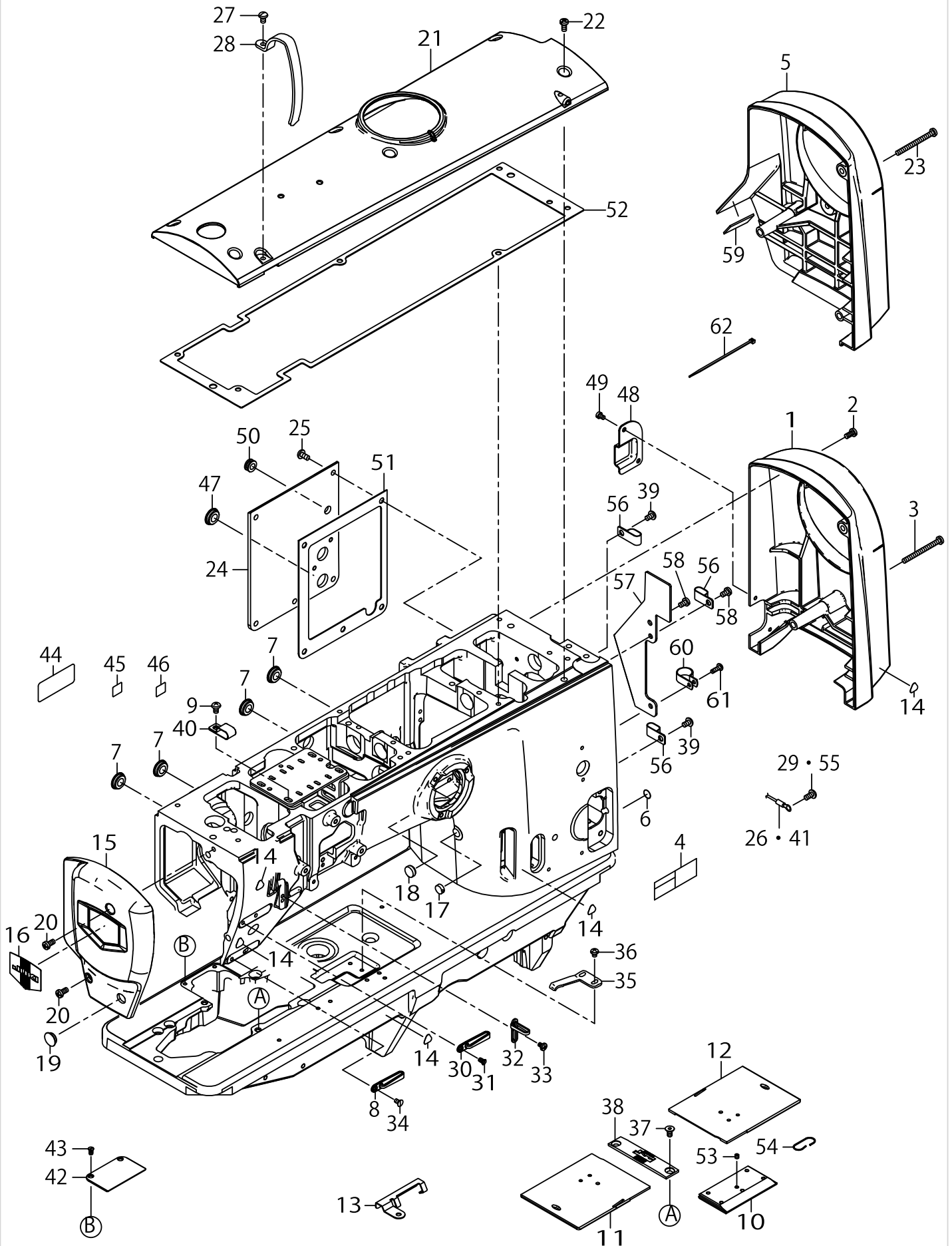
FRAME & MISCELLANEOUS COVER COMPONENTS



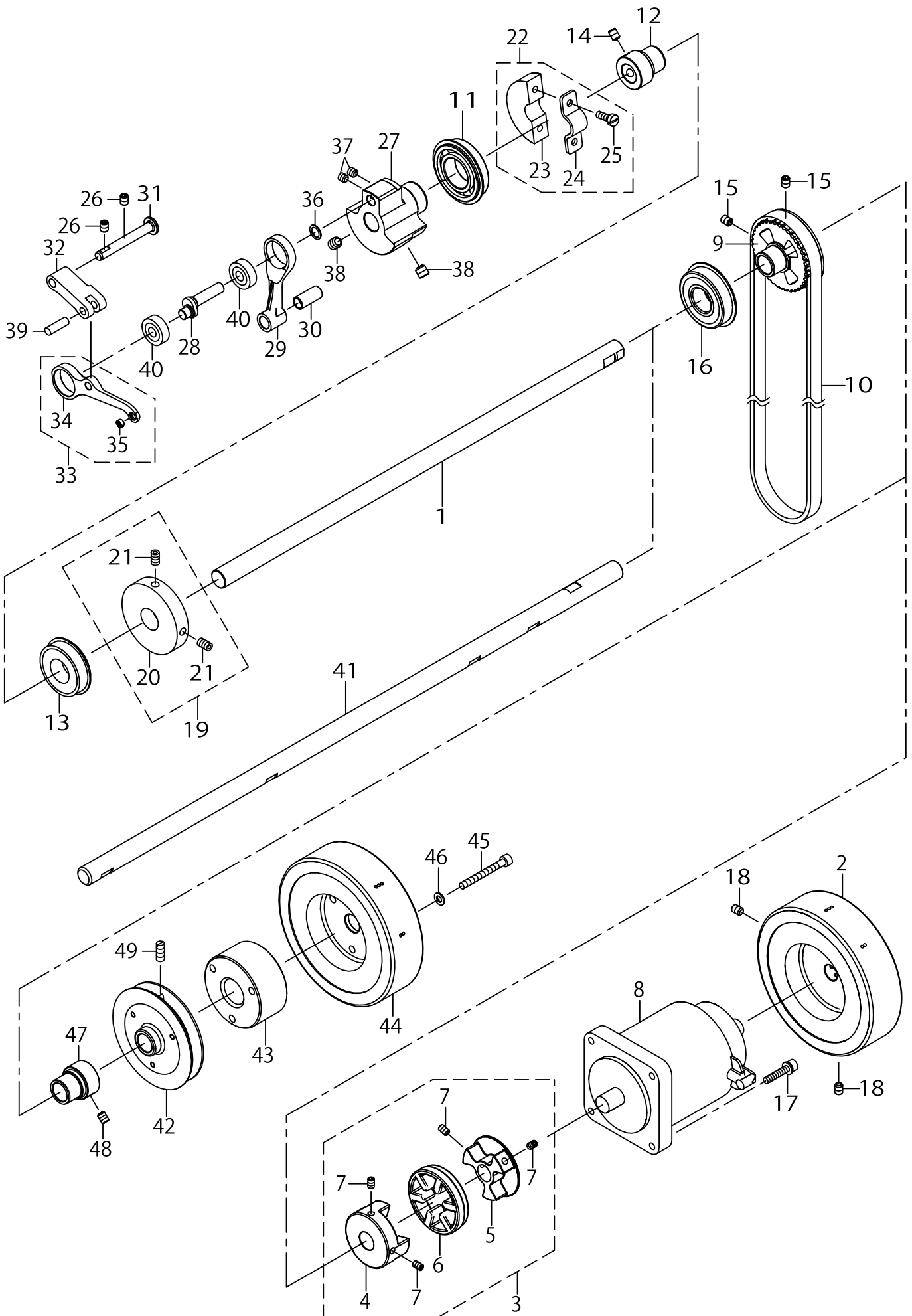
FRAME & MISCELLANEOUS COVER COMPONENTS

No.	C- ons	Le- vel	Parts No.	Replacement	Supply Code	Parts name	Qty	R- ep- Q- TY	Status	Spec	Remarks
1			40149042			MOTOR_COVER_2820	1				FOR LU-2828-7
2			SM4051055SP			SCREW	2				
3			SM4055501SC			SCREW_M5X0.8_L=55	1				FOR LU-2828-7
4			40102261			SAFETY_LABEL_S	1				
5			40142336			BELT_COVER_A	1				FOR LU-2828-6
6			22901805			GROUND_MARK	1				
7			TA1650406R0			PRUG	4				
8	☆		40084142			THREAD_GUIDE_LOWER	1				
9			SM4050855SP			SCREW	2				
10			40147918			SLIDE_PLATE_FRONT	1				
11			40127056			SLIDE_PLATE_2860R	1				
12			40147944			SLIDE_PLATE_2810R	1				
13			40134805			CABLE HOLDER	1				
14			CM300200001			ATTENTION_SEAL	5				
15			40130704			FACE_PLATE	1				
16			22902506			FACE_PLATE	1				
17			TA1030402R0			RUBBER_PLUG_D=10.3_L=4	1				
18			TA1270502R0			RUBBER_PLUG	1				
19			TA1250406R0			RUBBER_PLUG_D=12.5_L=4	1				
20			SM4051055SP			SCREW	2				
21			40130706			TOP_COVER	1				
22			SM4051055SP			SCREW	6				
23			SM4055501SC			SCREW_M5X0.8_L=55	2				FOR LU-2828-6
24			40149040			APERTURE_COVER	1				
25			SM4051055SP			SCREW	5				
26			22951552			GROUND_WIRE_ASM.	1				FOR LU-2828-7
27			SM4040855SP			SCREW	1				
28			40134834			THREAD_TAKE_UP_LEVER	1				
29			SM4051055SP			SCREW	1				FOR LU-2828-7
30	☆		40084142			THREAD_GUIDE_LOWER	1				
31			SM1040750TP			SCREW_M4_L=7	1				
32	☆		40126221			THREAD_GUIDE	1				
33			SM4040655SP			SCREW_M4_L=6	1				
34			SM1040750TP			SCREW_M4_L=7	1				
35			B1111563000			BED_SLIDE_SPRING	1				
36			SM4040655SP			SCREW_M4_L=6	2				
37			SM1051052TN			PLATE_SCREW_M5_L=10	2				
38			40147939			THROAT_PLATE	1				
39			SM4050855SP			SCREW	4				FOR LU-2828-6
40			D2112555B00			CORD HOLDER LARGE	3				FOR LU-2828-7
41			40142052			FG_CORD_ASM	1				FOR LU-2828-6
42			40131625			AUXILIARY_COVER	1				
43			SM1040750TP			SCREW_M4_L=7	2				
44			40094561		Disconinue	SEWING_MACHINE_LABEL_	1				FOR JE
45			CM600100101			WEEE_MARK_LABEL_S	1				FOR JE
46			40150131			EAC_MARK_LABEL_S	1				FOR JE
47			TA1650406R0			PRUG	1				
48			40149041			ADDITIONAL_MOTOR_COV	1				FOR LU-2828-7
49			SM6040600SP			SCREW_M4_L=6	2				FOR LU-2828-7
50			HX00055000E		Disconinue	RUBBER_BUSHING	1				
51			40151799			WINDOW_PLATE_PACKING	1				
52			40147919			TOP_COVER_PACKING	1				
53			SM8040412TP			SET_SCREW_M4_L=4	1				
54			B111105100B			SPRING	1				
55			SM4040855SP			SCREW	1				FOR LU-2828-6
56			D2112555B00			CORD HOLDER LARGE	5				FOR LU-2828-6
57			40142057			BELT_COVER_B	1				FOR LU-2828-6
58			SM4050855SP			SCREW	2				FOR LU-2828-6
59			B2528845000			CHIP_GUARD_PLATE	1				FOR LU-2828-6
60			HX00150000H			CABLE_CLIP	1				FOR LU-2828-6

FRAME & MISCELLANEOUS COVER COMPONENTS



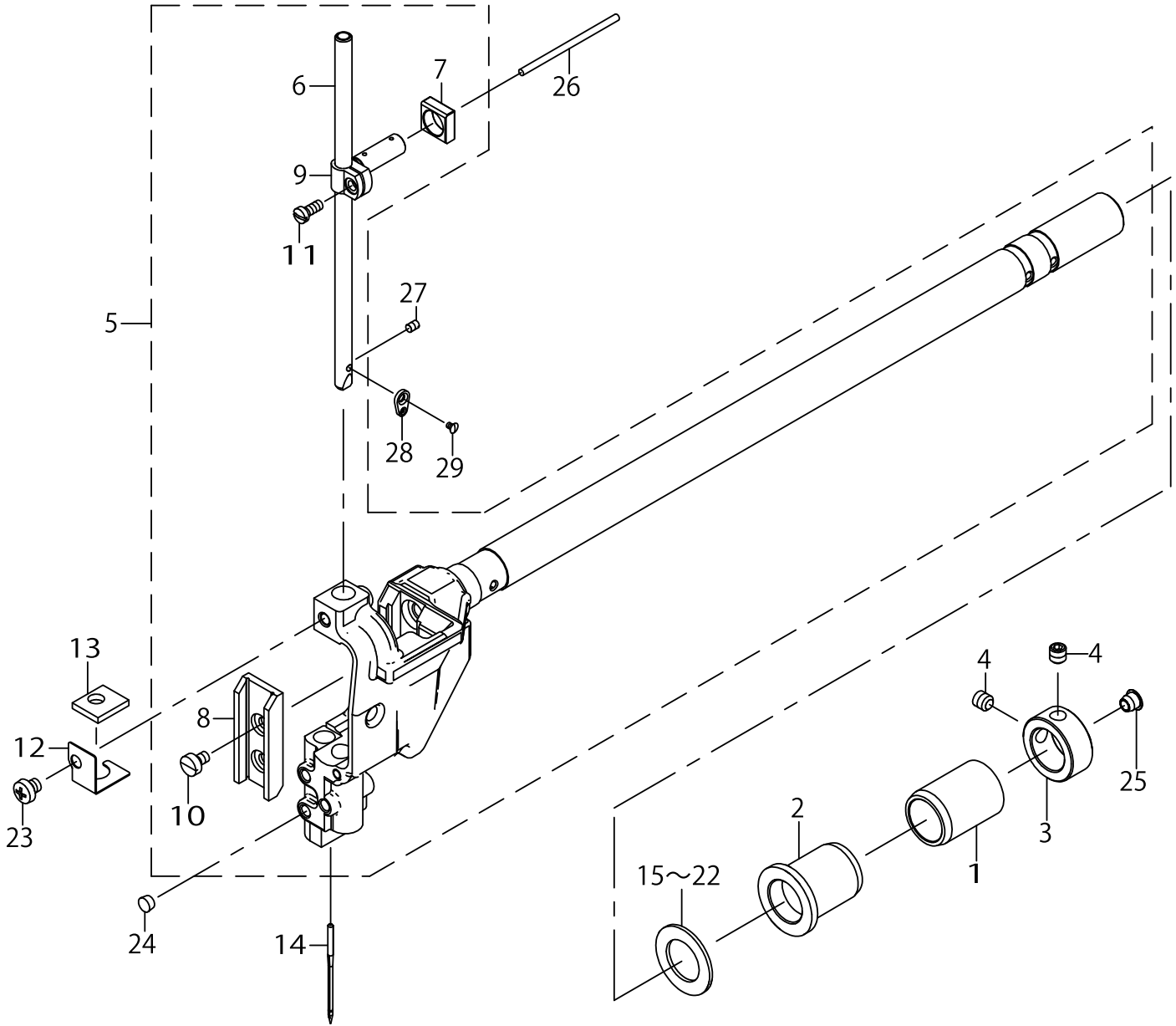
MAIN SHAFT & THREAD TAKE-UP LEVER COMPONENTS



MAIN SHAFT & THREAD TAKE-UP LEVER COMPONENTS

No.	C- ons	Le- vel	Parts No.	Replacement	Supply Code	Parts name	Qty	R- ep. Q- TY	Status	Spec	Remarks
1			40112087			MAIN_SHAFT_DD	1				FOR LU-2828-7
2			40130702			HAND_WHEEL	1				FOR LU-2828-7
3			40112312			COUPLING_ASSY	1				FOR LU-2828-7
4		*	40130277	40112312		HUB_L	1	1.00			FOR LU-2828-7
5		*	40112106			HUB_R	1				FOR LU-2828-7
6		*	40125950	40112312		SPIDER	1	1.00			FOR LU-2828-7
7		*	SM8050812TP			SCREW_M5X8	4				FOR LU-2828-7
8			40151488			SERVO_MOTOR_550W	1				FOR LU-2828-7
9			40126321			SPROCKET_UPPER	1				
10	☆		40112274			TIMING_BELT	1				
11			40143083			BEARING	1				
12			23605207			MAIN_SHAFT_BEARING_SUF	1				
13			SB120001800			BEARING	1				
14			SM80608A2TP			SCREW_M6_L=8	2				
15			SM8060812TP			SCREW_M6_L=8	2				
16			40143088			BEARING	1				
17			SL6052592TN			BOLT	4				FOR LU-2828-7
18			SM8060812TP			SCREW_M6_L=8	2				FOR LU-2828-7
19			40010533			BTW_DRIVING_WHEEL_ASM	1				
20		*	40010534	40010533		BTW_DRIVING_WHEEL	1	1.00			
21		*	40010535			DRIVING_WHEEL_SCREW	2				
22			40010437			CRANK_BALANCER_ASM	1				
23		*	40010438	40010437		CRANK_BALANCER	1	1.00			
24		*	40010439			CRANK_BALANCER_FIX_PL	1				
25		*	40010440			CRANK_BALANCER_FIX_PL	2				
26			SM8060812TP			SCREW_M6_L=8	2				
27			40112091			COUNTER_WEIGHT	1				
28			40112092			NEEDLE_BAR_CRANK	1				
29			40112093			NEEDLE_BAR_CRANK_ROD	1				
30			40112094			CRANK_ROD_BUSH	1				
31			40011902			THREAD_TAKE_UP_CRANK	1				
32			40125930			TAKE_UP_LEVER_CRANK	1				
33			40134545			THREAD_TAKE_UP_ASM	1				
34		*	40134532			THREAD_TAKE_UP	1				
35		*	10546901			BUSH	1				
36			WP0820516SP			WASHER_11.6X8.2X0.6	1				
37			SM8060612TP			SCREW_M6_L=6	2				
38			SM8080812TP			SCREW_M8X8	2				
39			10721504			FEED_ADJUSTING_PIN	1				
40			SB108002400			BEARING	2				
41			40139477			MAIN_SHAFT	1				FOR LU-2828-6
42			40139478			HAND_WHEEL_A	1				FOR LU-2828-6
43			40139480			HAND_WHEEL_WASHER	1				FOR LU-2828-6
44			40139479			HAND_WHEEL	1				FOR LU-2828-6
45			SM6054502TN			SCREW	3				FOR LU-2828-6
46			WP0531001SC			WASHER_M5	3				FOR LU-2828-6
47			23605207			MAIN_SHAFT_BEARING	1				FOR LU-2828-6
48			SM80608A2TP			SCREW_M6_L=8	2				FOR LU-2828-6
49			SS8151550SP			SCREW_15/64-28_L=15	2				FOR LU-2828-6

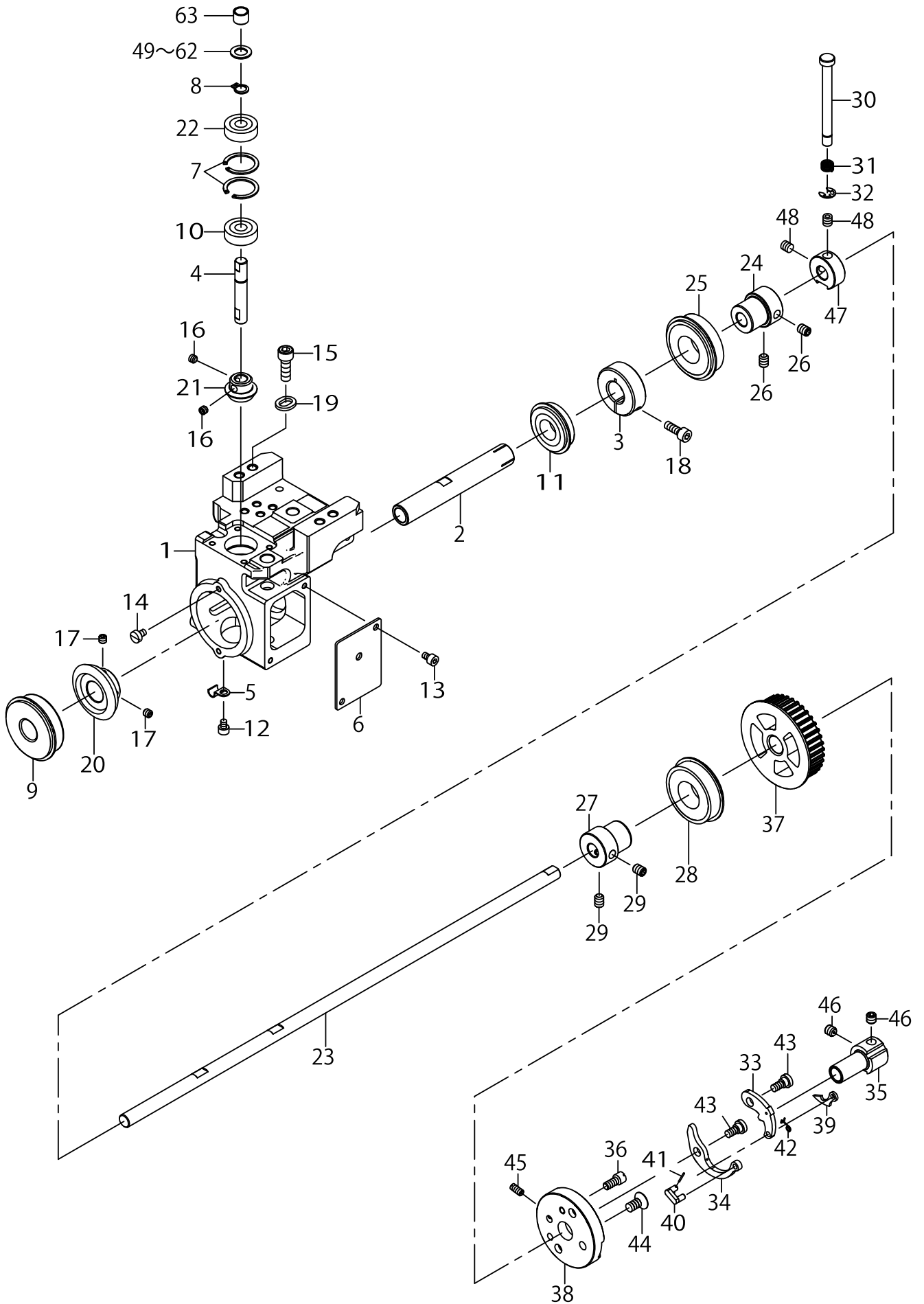
NEEDLE BAR COMPONENTS



NEEDLE BAR COMPONENTS

No.	C- ons	Le- vel	Parts No.	Replacement	Supply Code	Parts name	Qty	R- ep. Q- TY	Status	Spec	Remarks
1			40010709			NF_SHAFT_BUSH_R	1				
2			40152451			BUSHING	1				
3			CS1701181TP			THRUST_COLLAR_D=17,W=	1				
4			SM8060612TP			SCREW_M6_L=6	2				
5			40126402			N_B.ROCKING_BASE_ASM.2	1				
6		*	40143220			NEEDLE_BAR_2810A	1				
7		*	40112152			NEEDLE_ROD_SQUARE_BLC	1				
8		*	40127041			NEEDLE_BAR_GUIDE	1				
9		*	40112273			NEEDLE_BAR_CONNECTIO	1				
10		*	SM6040650TP			SCREW	2				
11		*	SS7090910TP			SCREW_9/64-40_L=8.5	1				
12			40112270			FELT HOLDER	1				
13			40112272			NEEDLE_BAR_FELT_E	1				
14	☆		MC321001400			NEEDLE_134-35_#140	1				
15			B1438512B00			WASHER_17.1X28X1.5	1				SELECTIVE PAF
16			22606206			SPACER_Y	1				SELECTIVE PAF
17			22606305			SPACER_Z	1				SELECTIVE PAF
18			22607600			SPACER_A	1				SELECTIVE PAF
19			22607709			SPACER_B	1				SELECTIVE PAF
20			22607808			SPACER_D	1				SELECTIVE PAF
21			22607907			SPACER_E	1				SELECTIVE PAF
22			22606404			SPACER_F	1				SELECTIVE PAF
23			SM4050501SC	SM4050801SC		SCREW_M5X0.8_L=5	1	1.00			
24			TA0500301R0			PLUG_5X5.8_L=3	4				
25			TA0620504R0			CAP	1				
26			CQ252000000			OIL_WICK	.05				
27	☆		SS8080410TP			SCREW_1/8-44_L=3.5	1				
28	☆		40143221			NEEDLE_BAR_THREAD_GUI	1				
29			SS2060310SP			SCREW_3/32-56_L=3	1				

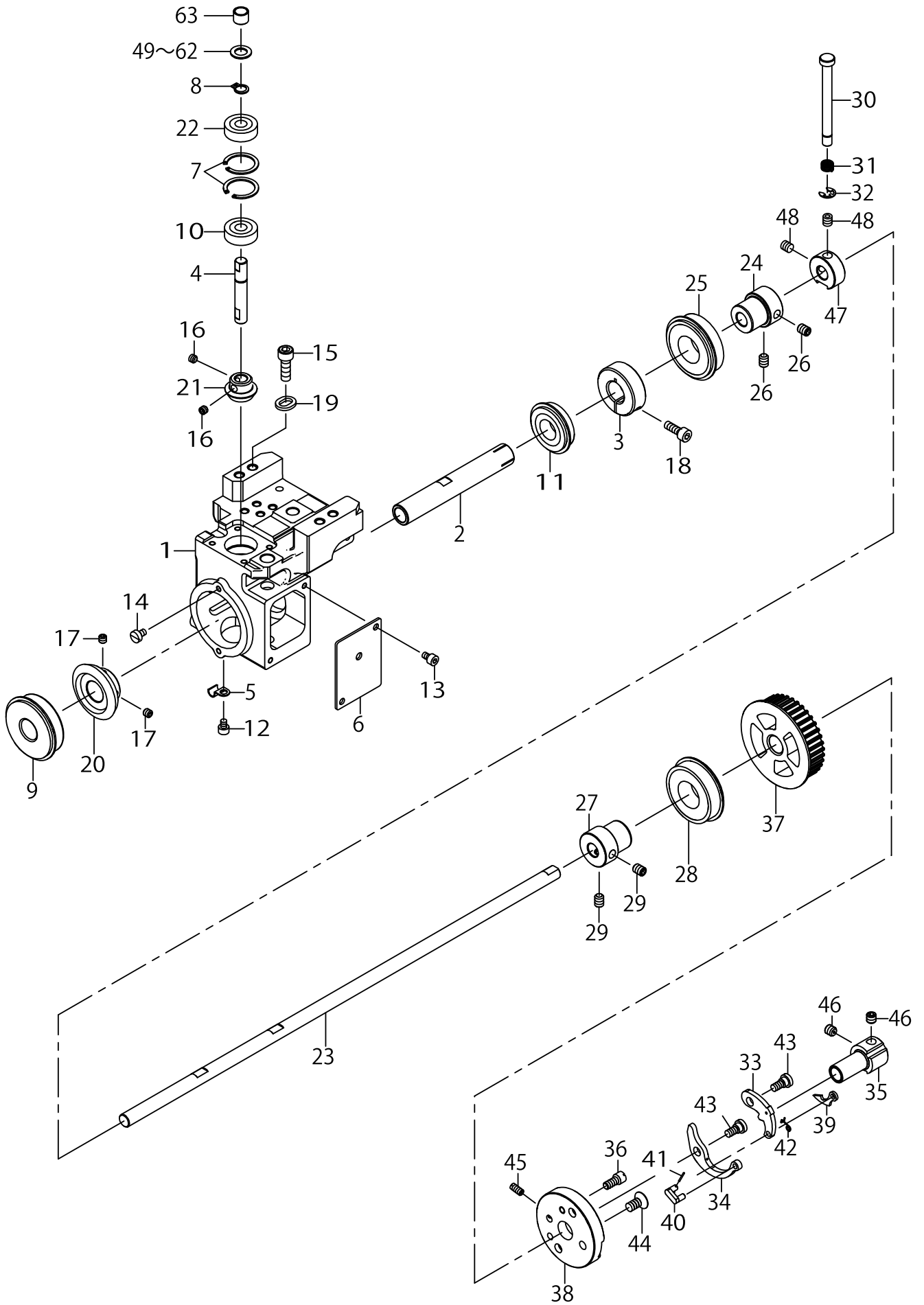
LOWER SHAFT COMPONENTS



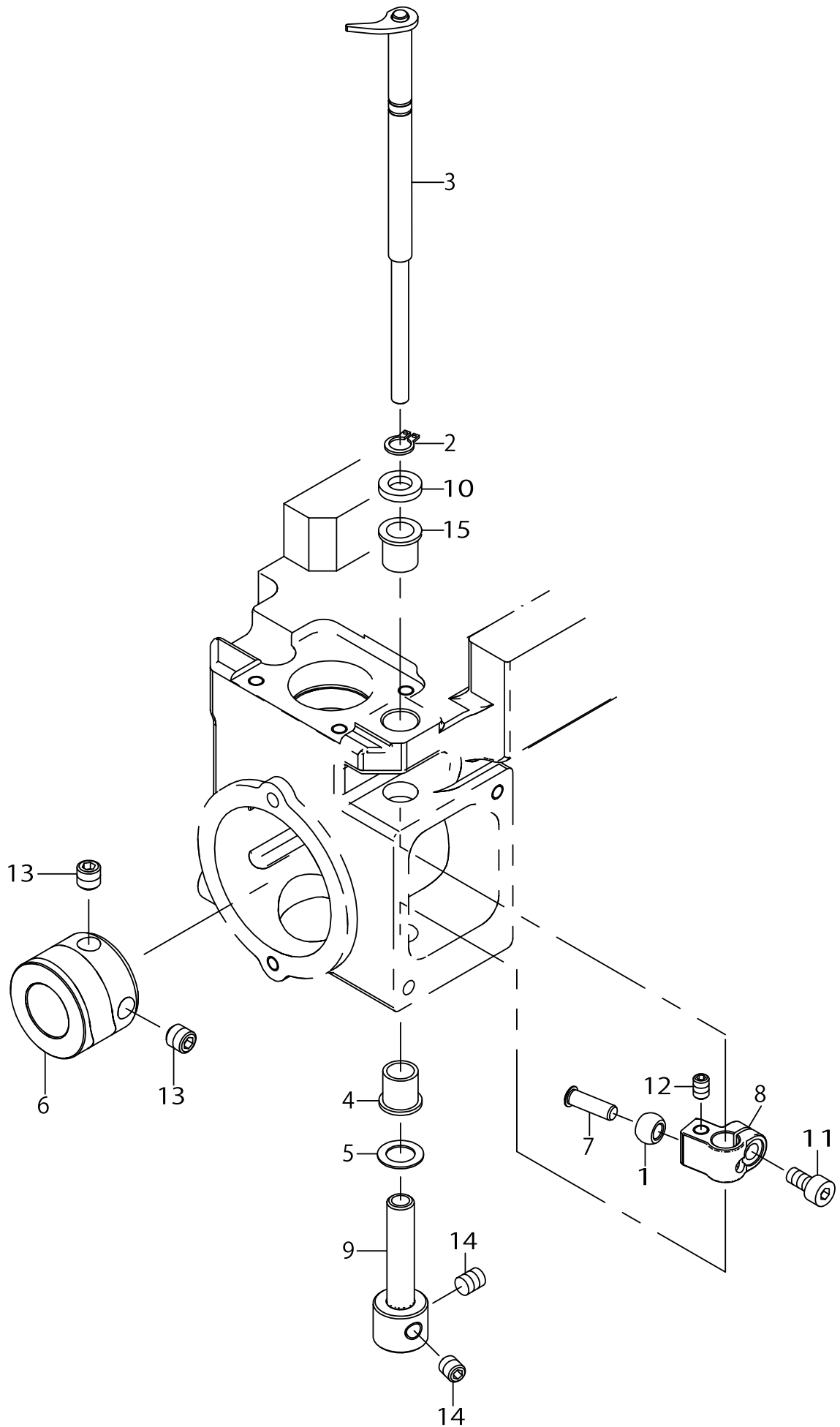
LOWER SHAFT COMPONENTS

No.	C- ons	Le- vel	Parts No.	Replacement	Supply Code	Parts name	Qty	R- ep- Q- TY	Status	Spec	Remarks
1			40131629			HOOK_SHAFT_BASE_RIGHT	1				
2			40112253			LOWER_SHAFT_C	1				
3			40052253			SET_COLLAR	1				
4			40126381			HOOK_SHAFT	1				
5			B353812000			OIL_RETURN_TUBE_HOLDE	2				
6			40123340			HOOK_SHAFT_BASE_SIDE_F	1				
7			RC2351018KP			RETAINIG_PIN_23.5	2				
8			RC0740816K0			RETAINING_RING	1				
9			40143084			BEARING	1				
10			40143086			BEARING	1				
11			40143082			BEARING	1				
12			SM6040502TP			SCREW_M4X0.7_L=5	2				
13			SM6040602TP			SCREW_M4_L=6	2				
14			SM6040650TP			SCREW	2				
15			SM6061802TP			SCREW_M6_L=18	2				
16			SM8050412TP			SCREW_M5_L=4	2				
17			SM80506A2TP			SCREW M5 L=6	2				
18			SM6051402TP			SCREW_M5X0.8_L=14	1				
19			40139043			HOOK_SHAFT_BASE_WASH	2				
20			40126372			LOWER_SHAFT_GEAR	1				
21			40112242			HOOK_SHAFT_GEAR	1				
22			40143086			BEARING	1				
23			40126365			LOWER_SHAFT_1N	1				
24			40123247			BEARING_COLLAR	1				
25			SB120001800			BEARING	1				
26			SM8060812TP			SCREW_M6_L=8	2				
27			40123247			BEARING_COLLAR	1				
28			SB120001800			BEARING	1				
29			SM8060812TP			SCREW_M6_L=8	2				
30			40112240			SAFETY_REVERSE_BUTTON	1				
31			B1639051000			SPRING	1				
32			RE0500000K0			E-RING	1				
33			21387600			SAFETY_CLUTCH_HOOK	1				
34			21387709			SAFETY_CLUTCH_SPRING	1				
35			21387808			SAFETY_BASE	1				
36			21387907			ADJUSTING_PIN(1.2)	1				
37			40125862			LOWER_SHAFT_SPROCKET	1				
38			40126366			CLUTCH_BASE	1				
39			B1308055000			SAFETY_CLUTCH_COUNTE	1				
40			B1310055000			SAFETY_CLUTCH_SMALL_I	1				
41			B1314055000			SAFETY_CLUTCH_SMALL_I	1				
42			40113224			COUNTER_HOOK_SPRING	1				
43			SD0640322TP			HINGE_SCREW_D=6.35_H=3.	2				
44			SM1061201SN			SCREW_M6_L=12	2				
45			SS8111010TP			SCREW_11/64-40_L=9.5	1				
46			SS8660612TP			SCREW_1/4-40_L=6	2				
47			21333901			SAFETY_CLUTCH_DISC	1				
48			SS8660612TP			SCREW_1/4-40_L=6	2				
49			B255728000A			WASHER_A	1				SELECTIVE PAF
50			B255728000B			WASHER_B	1				SELECTIVE PAF
51			B255728000C			WASHER_C	1				SELECTIVE PAF
52			B255728000D			WASHER_D	1				SELECTIVE PAF
53			B255728000E			WASHER_E	1				SELECTIVE PAF
54			40138418			WASHER_T=1.3	1				SELECTIVE PAF
55			40138419			WASHER_T=1.4	1				SELECTIVE PAF
56			40138420			WASHER_T=1.5	1				SELECTIVE PAF
57			40138421			WASHER_T=1.6	1				SELECTIVE PAF
58			40138422			WASHER_T=1.7	1				SELECTIVE PAF
59			40138423			WASHER_T=1.8	1				SELECTIVE PAF
60			40143185			WASHER_T=0.5	1				SELECTIVE PAF

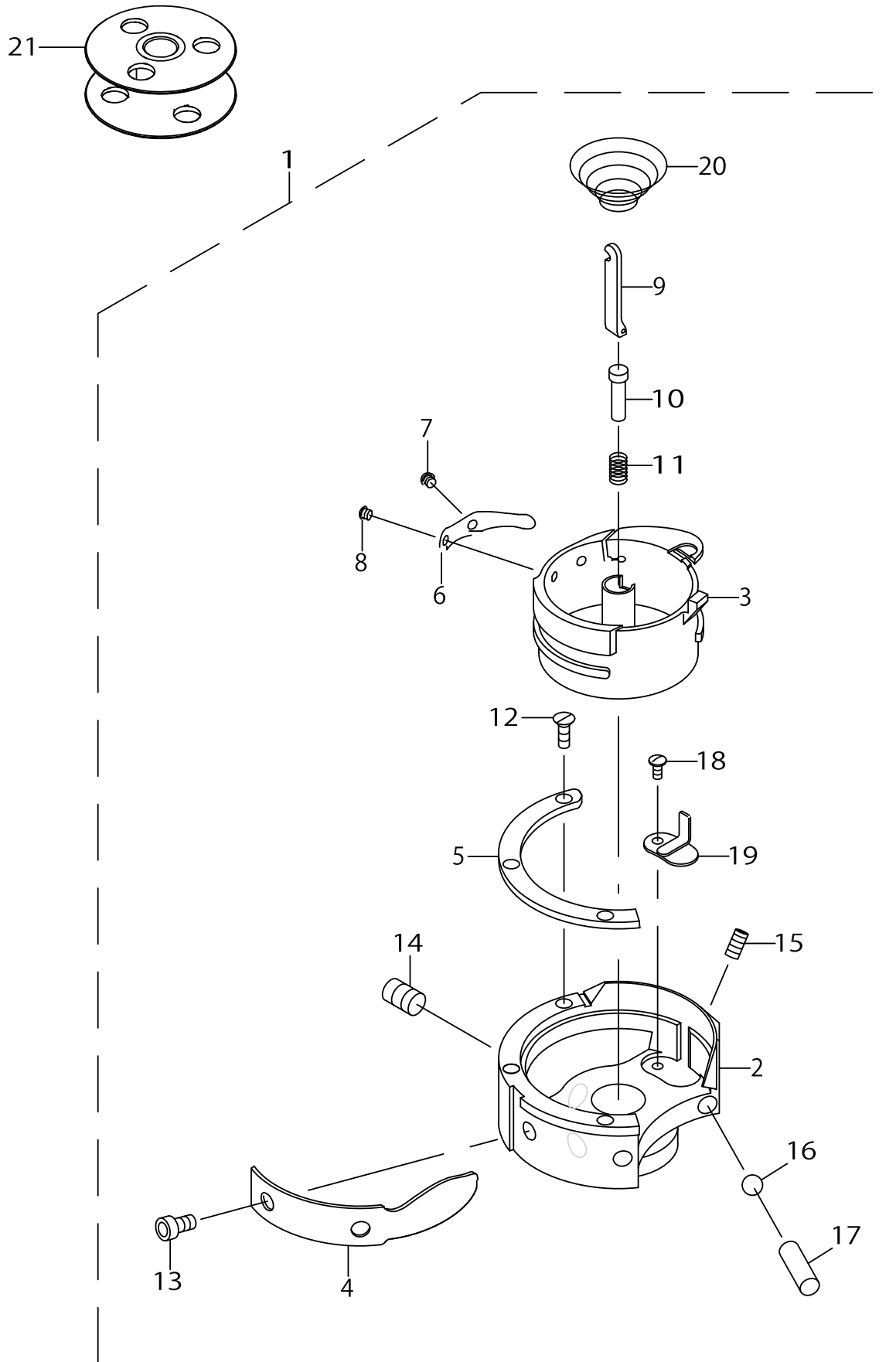
LOWER SHAFT COMPONENTS



OPENER COMPONENTS



HOOK COMPONENTS



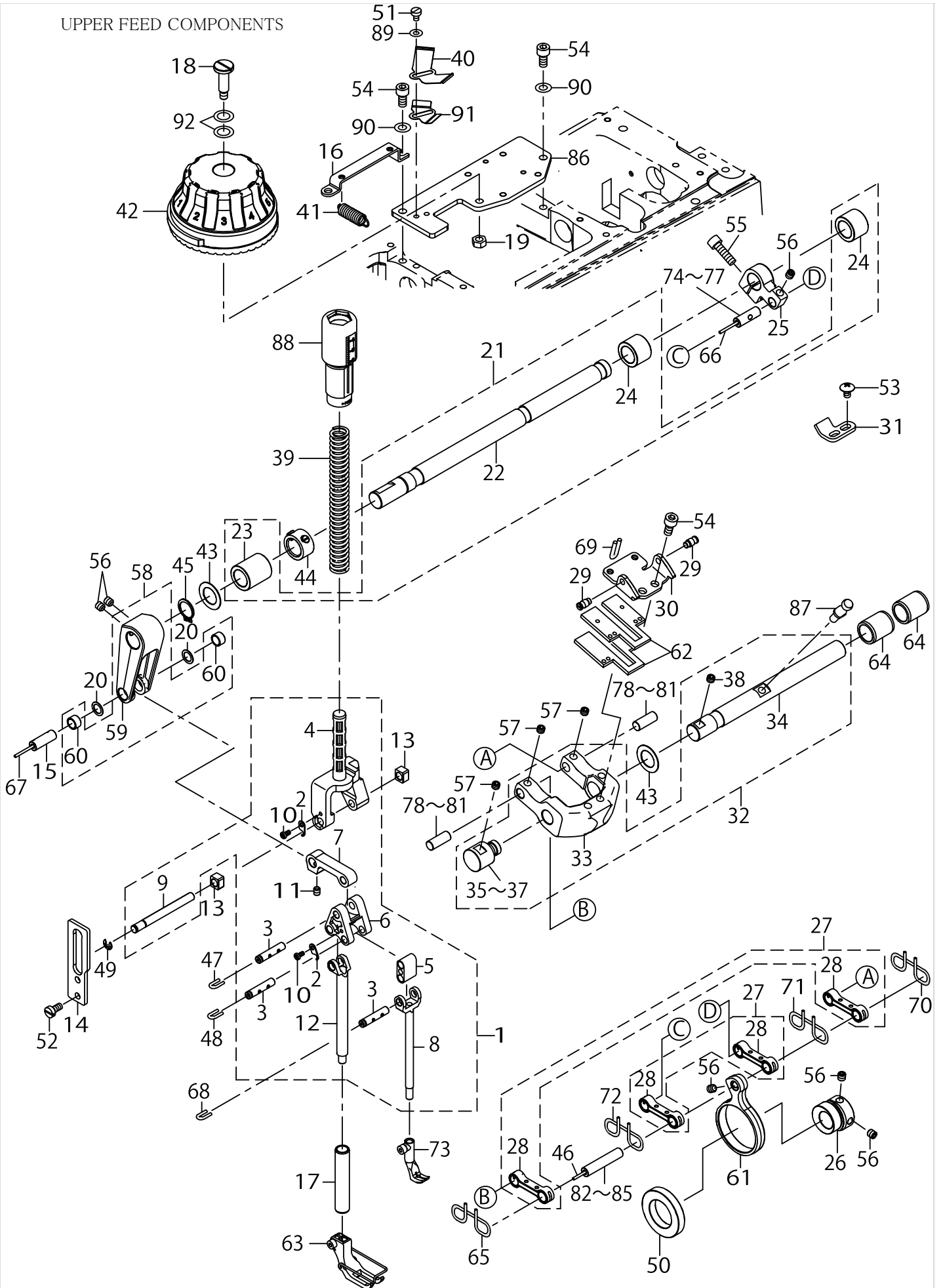
HOOK COMPONENTS

No.	C- ons	Le- vel	Parts No.	Replacement	Supply Code	Parts name	Qty	R- ep. Q- TY	Status	Spec	Remarks
1	☆		40147912			TRIM_HOOK_ASM_XXL_ST	1				
2		*	40149030			OUTER_HOOK	1				
3		*	40149047			INNER_HOOK	1				
4		*	40149032			NEEDLE HOLDER	1				
5		*	40149033			INNER_HOOK HOLDER	1				
6		*	40079898			TENTION_SPRING	1				
7		*	40079899			ADJUSTING_SCREW	1				
8		*	40079900			TENTION_SPRING_SETSCRE	1				
9		*	40149034			BOBBIN_PRESSER	1				
10		*	40079902			PRESSER_LIFTER	1				
11		*	40079903			PRESSER_LIFTER_SPRING	1				
12		*	40149035			INNER_HOOK HOLDER_SET	3				
13		*	40149036			NEEDLE HOLDER_SETSCRI	2				
14		*	40075542			OUTER_HOOK_SETSCREW	2				
15		*	40079909			NEEDLE HOLDER_ADJUSTI	1				
16		*	40148037			BALL	1				
17		*	40149037			SLIDE_PIN	1				
18		*	40075547			OIL_COVER_SETSCREW	1				
19		*	40075548			OIL_COVER	1				
20		*	40079912			IDLING_PRIVENTION_SPRIN	1				
21	☆		40147913			BOBBIN_XXL	1				

UPPER FEED COMPONENTS

No.	C- ons	Le- vel	Parts No.	Replacement	Supply Code	Parts name	Qty	R- ep. Q- TY	Status	Spec	Remarks
1			40126167	40144289		UPPER_FEED_F_ASM_E	1	1.00			
1			40126167	40144283		UPPER_FEED_F_ASM_E	1	1.00			
2		*	10710804			TRIANGLE_LEVER_SHAFT_S	2				
3		*	40112176			CONNECTION_PIN	3				
4		*	40123664	40126167		SPRING_RECEIVING_E	1	1.00			
5		*	40123665			WALKING_BAR_DRIVING_LI	1				
6		*	40125852			TRIANGULAR_LEVER	1				
7		*	40125854			UPPER_FEED_LINK_A	1				
8		*	40125937			WALKING_BAR_E	1				
9		*	40126166			PRESSER_BAR_GUIDE_SHAF	1				
10		*	SM4030601SN			SCREW_M3X6	2				
11		*	SM8050612TP			SCREW_M5X6	1				
12		*	40125861			PRESSURE_BAR_E	1				
13			40090058			SLIDE_BLOCK	2				
14			40125943			PRESSER_ROD_GUIDE	1				
15			40123634			ROCKING_LINK_PIN	1				
16			40125867			SPRING_HOOK	1				
17			40135014			PRESSER_BAR_BUSHING	1				
18			SD0802126TP	40082079		SHOULDER_SCREW_D=8_H=	1	1.00			
19			NM6060001SD			NUT_M6	1				
20			E2613700000			WASHER	2				
21			40123319			UPPER_FEED_SHAFT_ASM	1				
22		*	40123262			UPPER_FEED_SHAFT	1				
23		*	40123320	40123319		UPPER_FEED_SHAFT_META	1	1.00			
24		*	40123321	40123319		UPPER_FEED_SHAFT_META	2	1.00			
25			40126160			UPPER_FEED_REAR_ARM	1				
26			40126390			UPPER_FEED_CAM	1				
27			40126338			CONNECTION_LINK_ASM	2				
28		*	40126223	40126338		CONNECTION_LINK	2	1.00			
29			40038494			THREAD_BIND_ARM_SPRINC	2				
30			40126269			CHANGE_BASE_SPRING_RA	1				
31			40126264			CHANGE_BASE_STOPPER	1				
32			40123416			UPPER_FEED_CHANGE_BAS	1				
33		*	40123414	40123416		UPPER_FEED_CHANGE_BAS	1	1.00			
34		*	40123555	40123416		UF_CHANGE_BASE_SHAFT	1	1.00			
35		*	40145548			UF_CHANGE_BASE_SUPPOF	1				SELECTIVE PAF
36		*	40145549			UF_CHANGE_BASE_SUPPOF	1				SELECTIVE PAF
37		*	40145550			UF_CHANGE_BASE_SUPPOF	1				SELECTIVE PAF
38		*	SM8060552TP			SCREW_M6_L=5	1				
39	☆		40112197			PRESSER_SPRING	1				
40	☆		40112199			LEAF_SPRING	1				
41			40126400			SPRING	2				
42			40125850			VERTICAL_DIAL(VE)	1				
43			D1231555B00			WASHER	2				
44			22904155			MAIN_SHAFT_THRUST_COL	1				
45			RC0150001KP			RETAINING_RING_13.8	1				
46			CQ202000000			OIL_WICK	.042				
47			CQ252000000			OIL_WICK	.048				
48			CQ252000000			OIL_WICK	.048				
49			RE0500000K0			E-RING	1				
50			SB125000600			BEARING	1				
51			SM6040650TP			SCREW	2				
52			SM6051000SP			SCREW	2				
53			SM0050801SC			SCREW	2				
54			SM6061202TP			SCREW_M6_L=12	7				
55			SM6062002TP			SCREW_M6_L=20	1				
56			SM8060612TP			SCREW_M6_L=6	6				
57			SM8060552TP			SCREW_M6_L=5	3				
58			40126159			UPPER_FEED_FRONT_ARM_	1				
59		*	40126157	40126159		UPPER_FEED_FRONT_ARM	1	1.00			

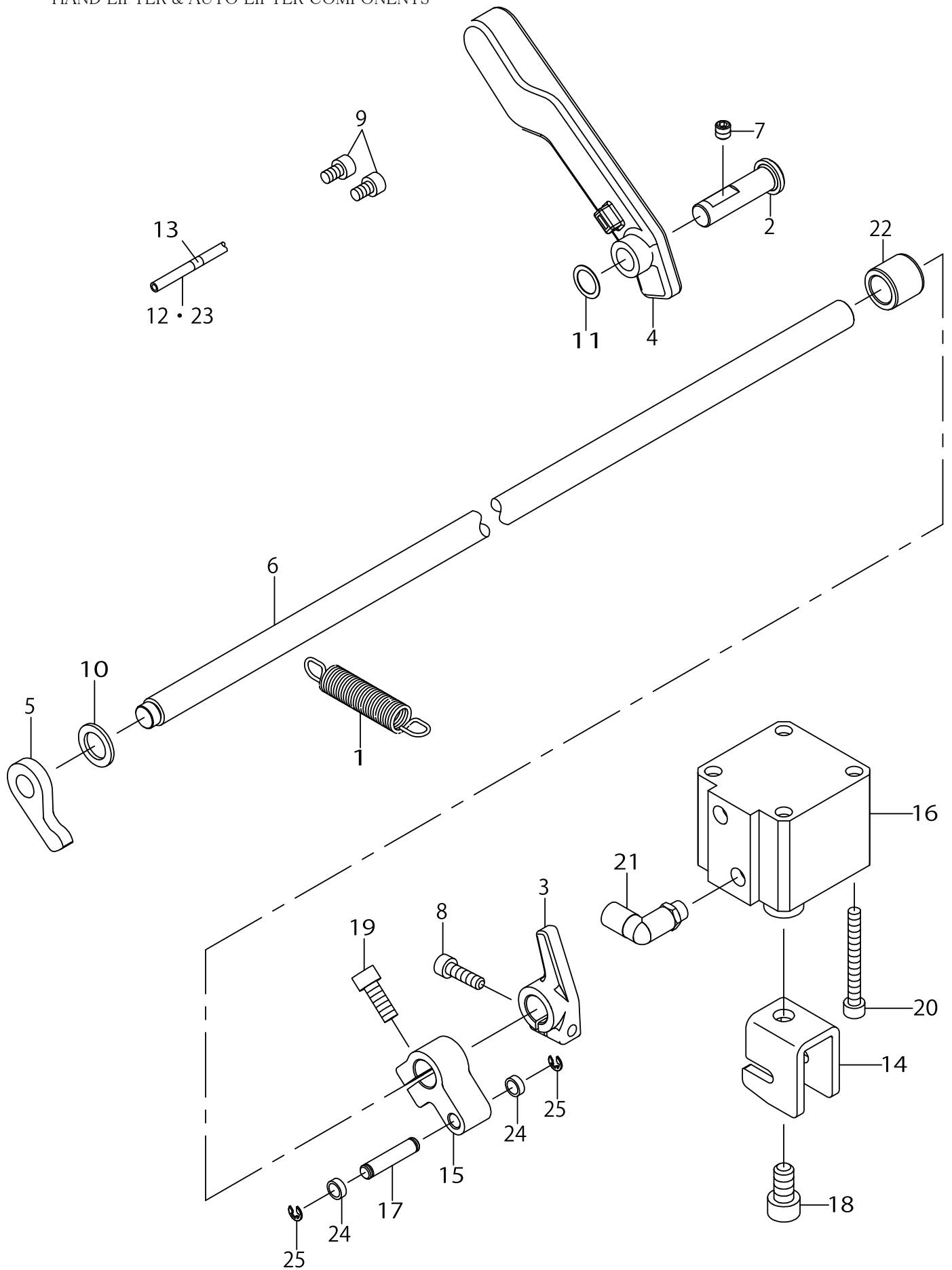
UPPER FEED COMPONENTS



UPPER FEED COMPONENTS

No.	C- ons	Le- vel	Parts No.	Replacement	Supply Code	Parts name	Qty	R- ep. Q- TY	Status	Spec	Remarks
60		*	40126158	40126159		UPPER_FEED_FRONT_ARM	2	1.00			
61			40125876			UPPER_FEED_CAM_ROD	1				
62			40123345			FELT	2				
63			10712552			PRESSER_FOOT_ASM.	1				
64			22913008			FEED_ROCKER_SHAFT_BUS	2				
65			CQ202000000			OIL_WICK	.25				
66			CQ202000000			OIL_WICK	.02				
67			CQ202000000			OIL_WICK	.02				
68			CQ252000000			OIL_WICK	.048				
69			CQ202000000			OIL_WICK	.1				
70			CQ202000000			OIL_WICK	.25				
71			CQ202000000			OIL_WICK	.25				
72			CQ202000000			OIL_WICK	.25				
73			10711653			FEED_FOOT_ASM.	1				
74			40149115			ROCKING_LINK_PIN_A	1				SELECTIVE PAF
75			40149116			ROCKING_LINK_PIN_B	1				SELECTIVE PAF
76			40149117			ROCKING_LINK_PIN_C	1				SELECTIVE PAF
77			40149118			ROCKING_LINK_PIN_D	1				SELECTIVE PAF
78			40149120			FEED_ADJUSTING_PIN_A	2				SELECTIVE PAF
79			40149121			FEED_ADJUSTING_PIN_B	2				SELECTIVE PAF
80			40149122			FEED_ADJUSTING_PIN_C	2				SELECTIVE PAF
81			40149123			FEED_ADJUSTING_PIN_D	2				SELECTIVE PAF
82			40149125			FEED_ROD_PIN_A	1				SELECTIVE PAF
83			40149126			FEED_ROD_PIN_B	1				SELECTIVE PAF
84			40149127			FEED_ROD_PIN_C	1				SELECTIVE PAF
85			40149128			FEED_ROD_PIN_D	1				SELECTIVE PAF
86			40125868			INSTALLING_PLATE	1				
87			40126374			VERTICAL_ADJUSTING_PIN	1				
88			40125926			PRESSER_ADJUSTING_SCRE	1				
89			WP0430800SD			WASHER_M4	4				
90			WP0651001SC			WASHER	2				
91			40154199			LEAF_SPRING_ADJSTING_PI	1				
92			40023627			PRESSER_PLATE_SHEET_W/	2				

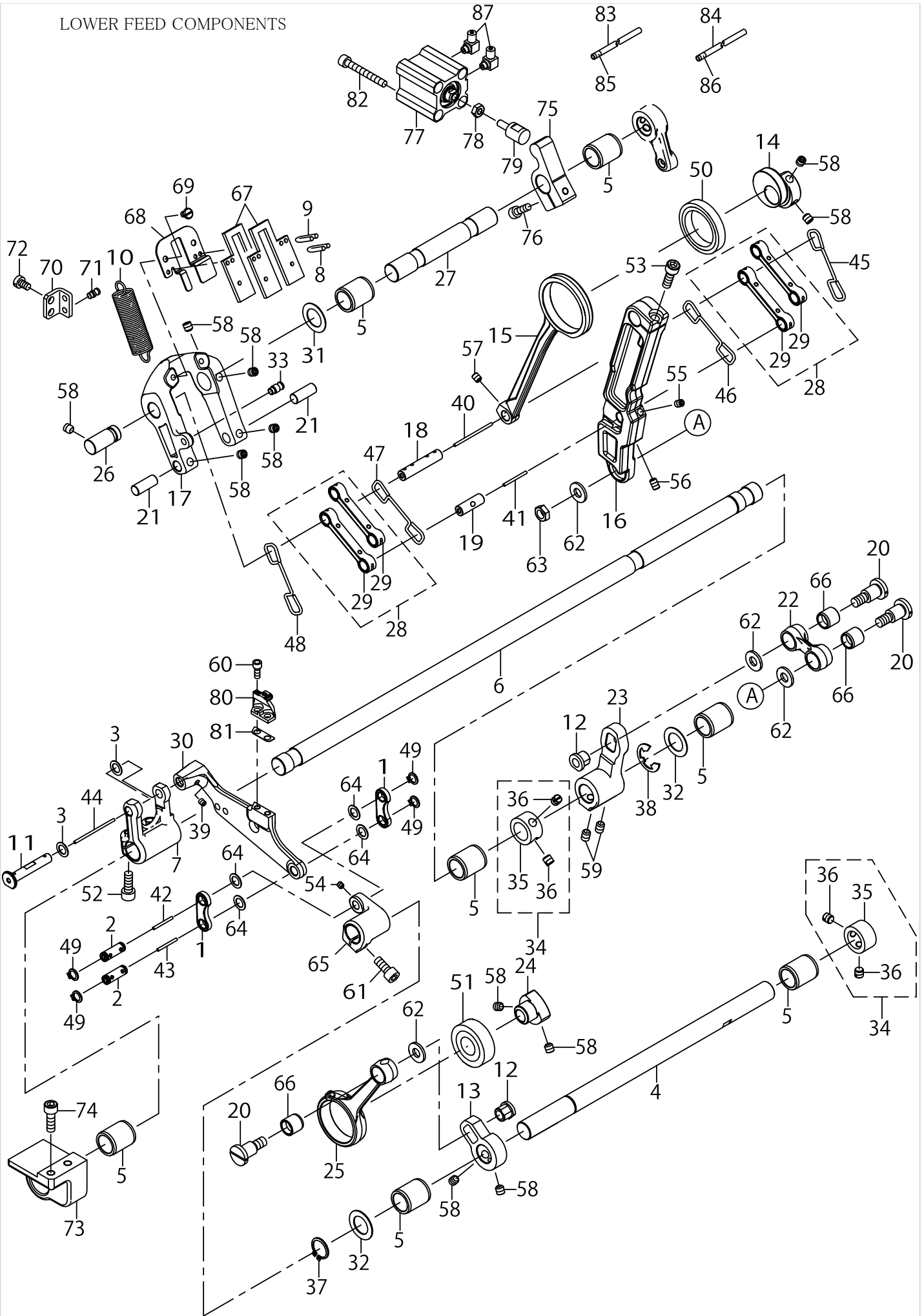
HAND LIFTER & AUTO LIFTER COMPONENTS



HAND LIFTER & AUTO LIFTER COMPONENTS

No.	C- ons	Le- vel	Parts No.	Replacement	Supply Code	Parts name	Qty	R- ep- Q- TY	Status	Spec	Remarks
1			40126367			SPRING	1				
2			40006716			THREAD_TRIMMER_SHAFT	1				
3			40112184			LIFTER_LEVER_A	1				
4			40126150			LIFTER_LEVER_B	1				
5			40125870	40144283		LIFTER_PLATE	1	1.00	選択部品	LU-28*S用	
5			40125870	40144288		LIFTER_PLATE	1	1.00	選択部品	LU-28*S用	
5			40125870	40144283		LIFTER_PLATE	1	1.00	選択部品	LU-28*A用	
5			40125870	40144289		LIFTER_PLATE	1	1.00	選択部品	LU-28*A用	
6			40126364			LIFTER_SHAFT	1				
7			SM8060612TP			SCREW_M6_L=6	1				
8			SM6051802TP			SCREW_M5_L=18	1				
9			SM6050802TP			SCREW_M5X0.8_L=8	2				
10			13409107			WASHER	1				
11			WZ1052010KP			WAVED_WASHER	1				
12			BT0400251EB			URETHANE_HOSE_BLACK	.62				FOR LU-2828-7
13			18035303			WIRE_MARK_(4)	1				
14			40112187			KNUCKLE_JOINT_A	1				
15			40112188			LIFTING_ARM	1				
16			PA400150200			AIR_CYLINDER	1				
17			22949101			ROLLER_FULCRUM_SHAFT	1				
18			SM6081552TP			SCREW_M8_L=15	1				
19			SM6061602TP			SCREW_M6_L=16	1				
20			SM6054502TN			SCREW_M5_L=45	4				
21			40142202			ELBOW_UNION	1				
22			40143624			BACKWARD_LEVER_SHAFT	1				
23			BT0400251EB			URETHANE_HOSE_BLACK	1.4				FOR LU-2828-6
24			13951009			PRESSER_FOOT_ROLLER	2				
25			RE0400000K0			E-RING_4	2				

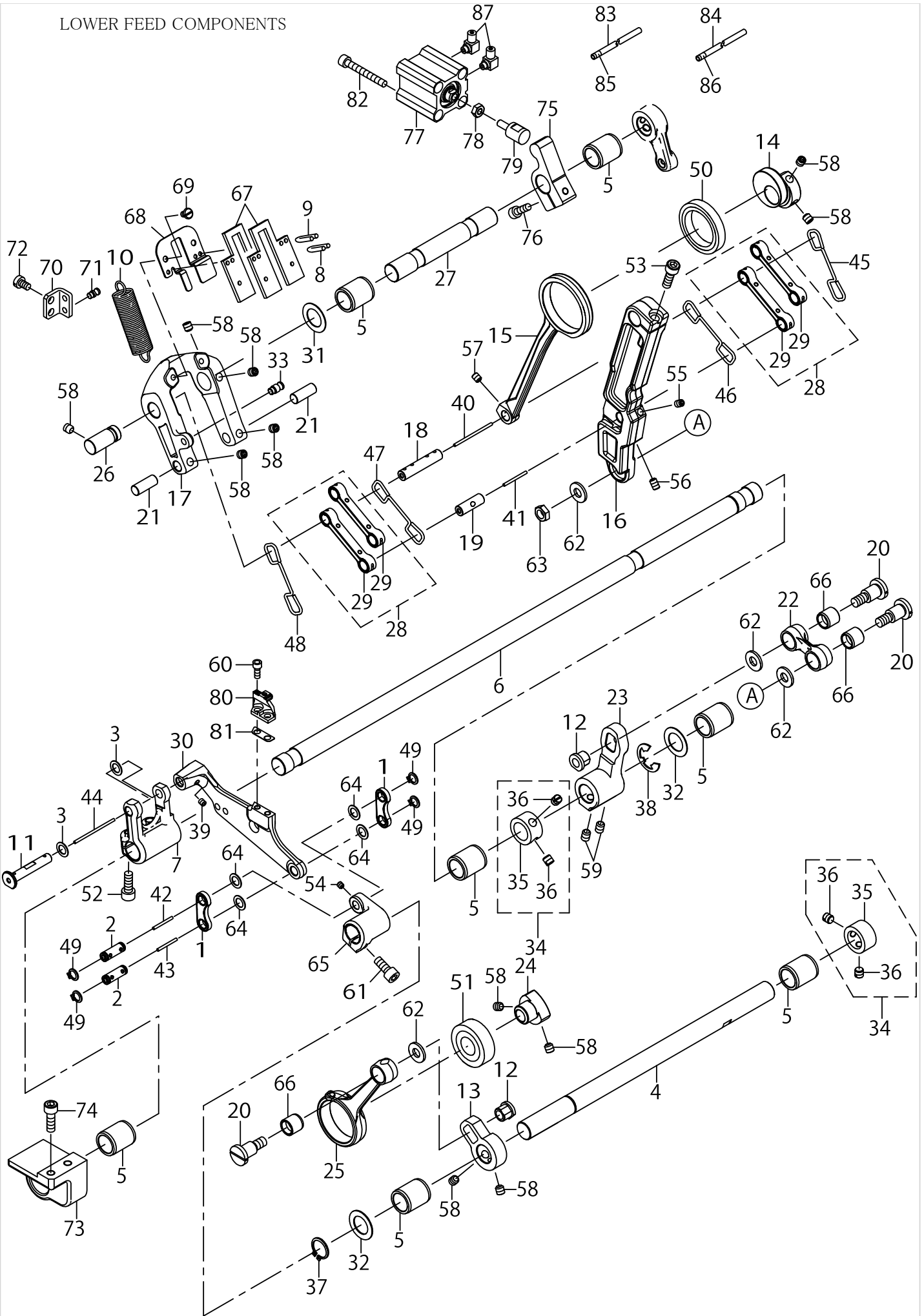
LOWER FEED COMPONENTS



LOWER FEED COMPONENTS

No.	C- ons	Le- vel	Parts No.	Replacement	Supply Code	Parts name	Qty	R- ep. Q- TY	Status	Spec	Remarks
1			40123666			VERTICAL_LINK	2				
2			40143626			VERTICAL_FEED_LINK	2				
3			WP0740516SP			WASHER_7.4X11.8X0.5	2				
4			40131621			VERTICAL_FEED_SHAFT	1				
5			22913008			FEED_ROCKER_SHAFT_BUS	7				
6			40131620			HORIZONTAL_FEED_SHAFT	1				
7			40134982			FEED_BASE_ARM	1				
8			CQ202000000			OIL_WICK	.05				
9			CQ202000000			OIL_WICK	.05				
10			40126401			SPRING_B	1				
11			40137997			FEED_BASE_SHAFT	1				
12			40126357			VERTICAL_FEED_ROD_NUT	2				
13			40125843			VERTICAL_FEED_ARM_REA	1				
14			40123626			HORIZONTAL_FEED_CAM	1				
15			40126151			HORIZONTAL_FEED_ROD	1				
16			40123547			NEEDLE_BAR_ROCKING_LIN	1				
17			40123629			HORIZONTAL_FEED_CHAN	1				
18			40112118			FEED_ROD_PIN	1				
19			40123634			ROCKING_LINK_PIN	1				
20			SD1021251SP			HINGE_SCREW_D=10.2_H=1	3				
21			40126375			FEED_ADJUSTING_PIN_A	2				
22			40125856			CONNECTION_LINK	1				
23			40123668			HORIZONTAL_FEED_ARM	1				
24			40123627			VERTICAL_FEED_CAM	1				
25			40125857			VERTICAL_FEED_ROD	1				
26			40123639			HF_CHANGE_BASE_SUPPOF	1				
27			40131602			CHANGE_BASE_SHAFT	1				
28			40126339			CONNECTION_LINK_ASM	2				
29		*	40123252	40126339		CONNECTION_LINK	2	1.00			
30			40131631			FEED_BASE	1				
31			D1231555B00			WASHER	1				
32			B125578100A			WASHER_A	2				
33			40038494			THREAD_BIND_ARM_SPRINC	1				
34			22904155			MAIN_SHAFT_THRUST_COL	2				
35		*	22904106	22904155		MAIN_SHAFT_THRUST_COL	1	1.00			
36		*	SS8660610TP			SCREW_1/4-40_L=6	2				
37			RC0150001KP			RETAINING_RING_13.8	1				
38			RE1200000K0			E-RING_12	1				
39			SS8110422TP			SCREW_11/64-40_L=4	1				
40			CQ202000000			OIL_WICK	.042				
41			CQ202000000			OIL_WICK	.02				
42			CQ202000000			OIL_WICK	.024				
43			CQ202000000			OIL_WICK	.024				
44			CQ202000000			OIL_WICK	.04				
45			CQ202000000			OIL_WICK	.3				
46			CQ202000000			OIL_WICK	.3				
47			CQ202000000			OIL_WICK	.3				
48			CQ202000000			OIL_WICK	.3				
49			RC0650811KP			RETAINING_RING	4				
50			40143087			BEARING	1				
51			40143085			BEARING	1				
52			SM6061602TP			SCREW_M6_L=16	2				
53			SM6061802TP			SCREW_M6_L=18	1				
54			SM8040412TP			SET_SCREW_M4_L=4	1				
55			SM8050842TP			SETSCREW	1				
56			SM8050812TP			SCREW_M5X8	1				
57			SM8050612TP			SCREW_M5X6	1				
58			SM8060612TP			SCREW_M6_L=6	11				
59			SM8060812TP			SCREW_M6_L=8	2				
60			SS6111052TP			SCREW	2				

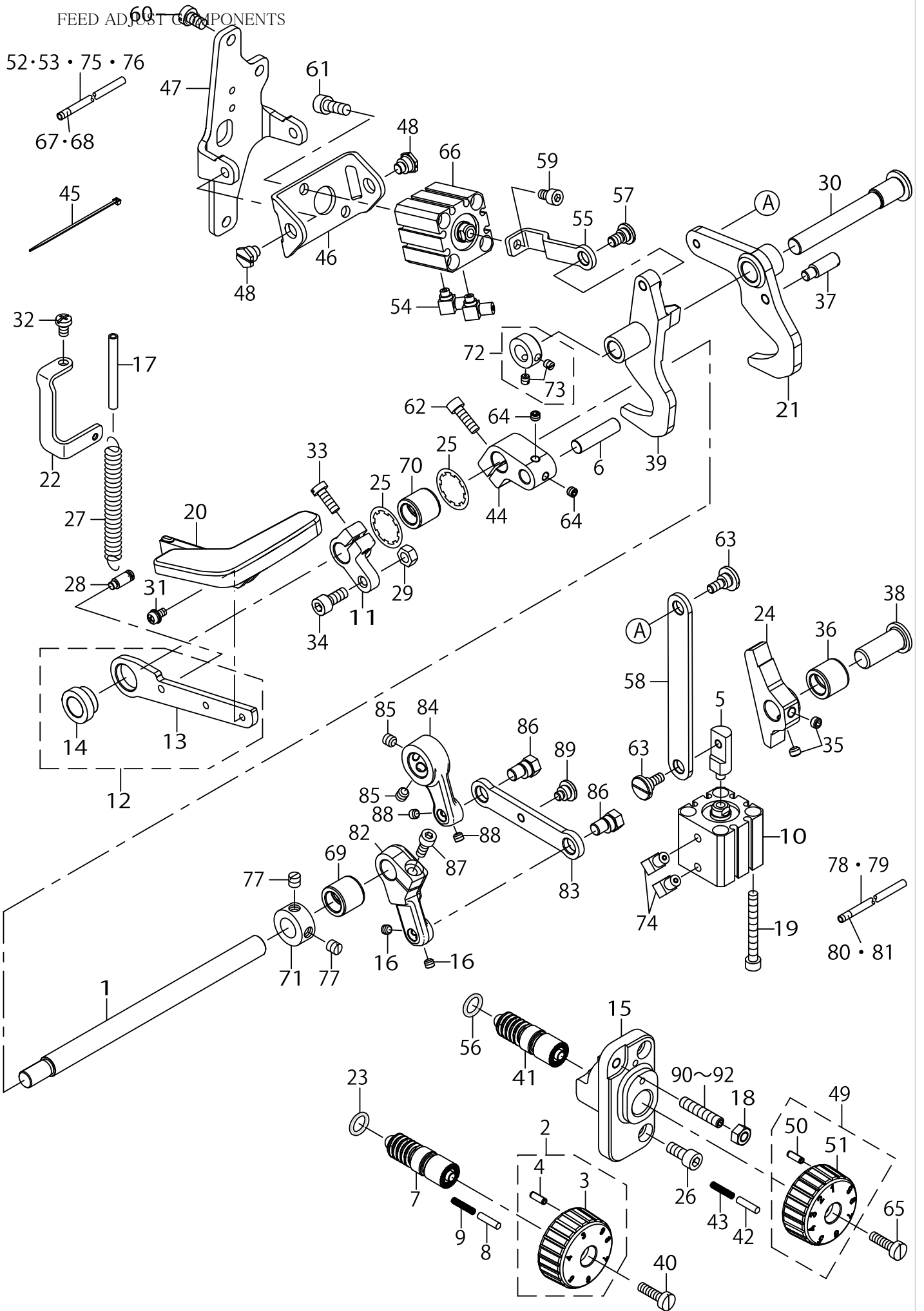
LOWER FEED COMPONENTS



LOWER FEED COMPONENTS

No.	C- ons	Le- vel	Parts No.	Replacement	Supply Code	Parts name	Qty	R- ep. Q- TY	Status	Spec	Remarks
61			SM6061402TP			SCREW_M6_L=14	1				
62			26018705			WASHER	4				
63			NS6680410SP			NUT_9/32-28	1				
64			WP0740516SP			WASHER_7.4X11.8X0.5	4				
65			40125935			VERTICAL_FEED_ARM_FRO	1				
66			40126359			VERTICAL_FEED_ROD_BUS	3				
67			40123345			FELT	2				
68			40123346			FELT HOLDER	1				
69			SM6040650TP			SCREW	2				
70			12288908			THROAT PLATE_BASE_B.SU	1				
71			26017400			SPRING_RAC	1				
72			SM6050800SP			SCREW_M5_L=8	2				
73			40131619			METAL_INSTALLING_BOSS	1				
74			SM6061802TP			SCREW_M6_L=18	2				
75			40131597			CONDENSE_CYLINDER_ARM	1				
76			SM6051602TP			SCREW_M5X0.8_L=16	1				
77			PA200200500			AIR_CYLINDER	1				
78			NM6050001SD			NUT_M5X0.8	1				
79			40131607			CONDENSE_PUSH_PIN	1				
80			40135816			FEED_DOG_2820A7	1				
81			40138020			FEED_DOG_SPACER	1				
82			SM6054002TN			SCREW_M5X0.8_L=40	2				
83			BT0400251EB			URETHANE_HOSE_BLACK	.6				
84			BT0400251EB			URETHANE_HOSE_BLACK	.6				
85			18035808			WIRE_MARK_(9)	1				
86			18035907			WIRE_MARK_(10)	1				
87			PJ032052503			HOSE_NIPPLE	2				

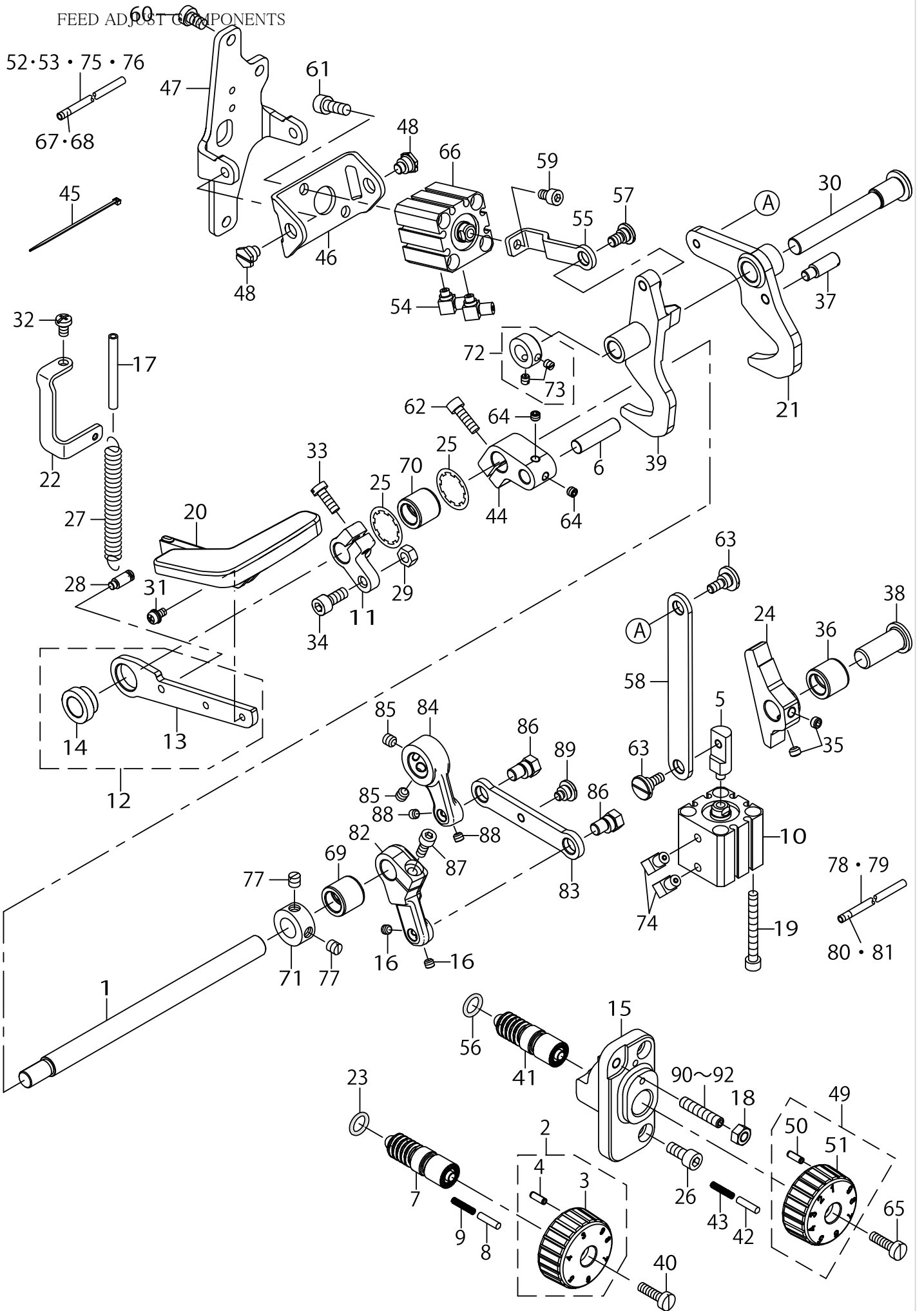
FEED ADJUST COMPONENTS

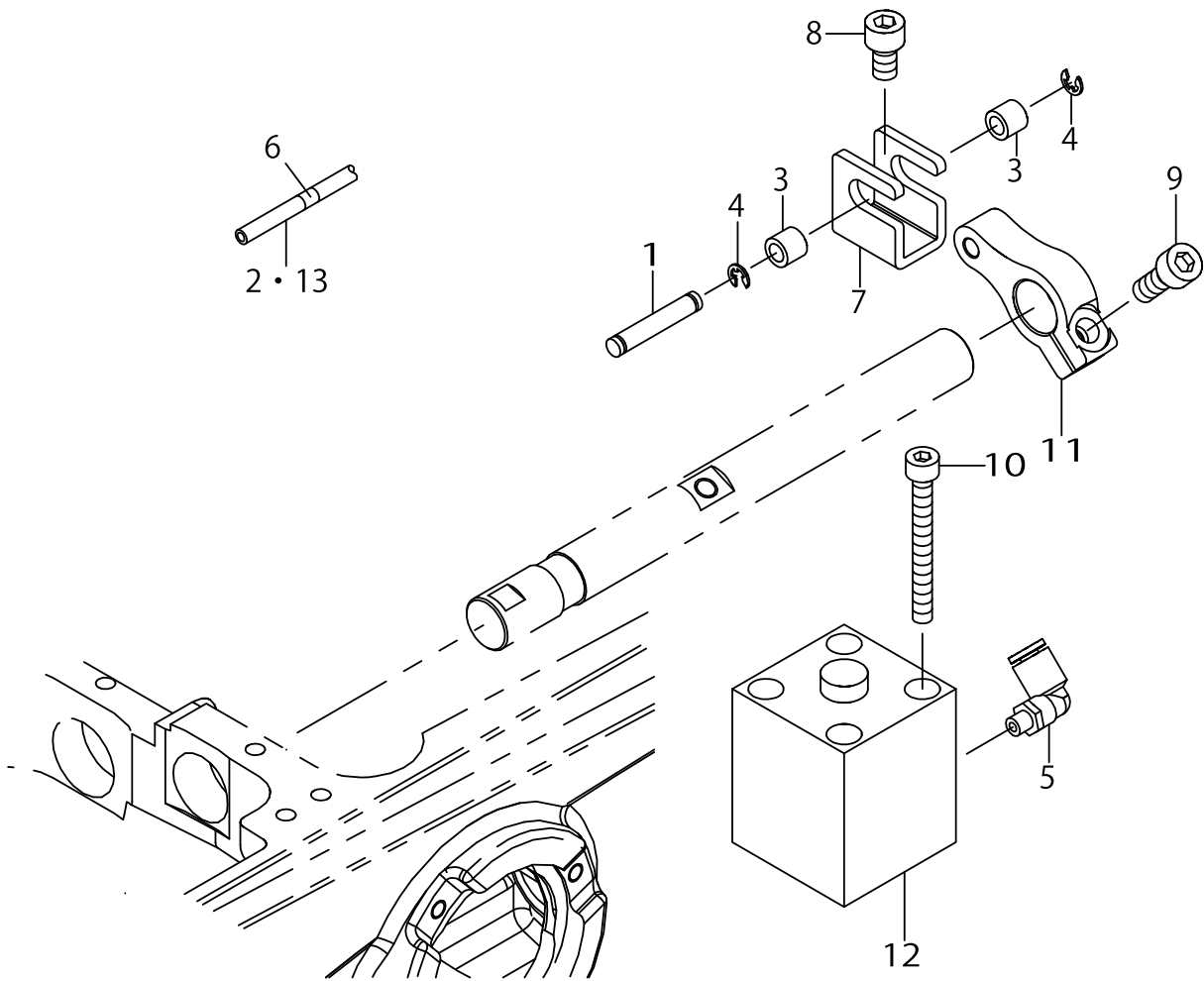


FEED ADJUST COMPONENTS

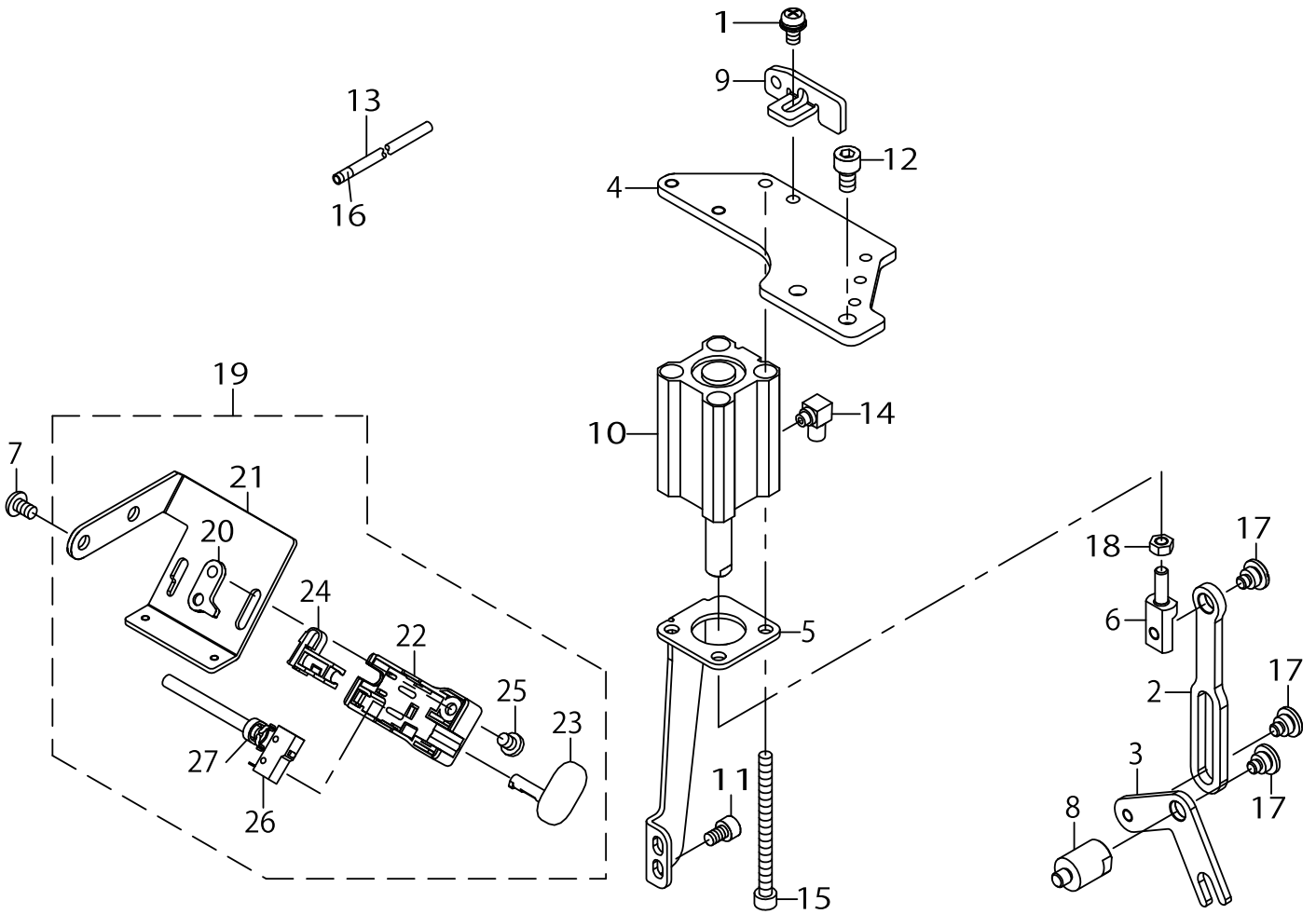
No.	C- ons	Le- vel	Parts No.	Replacement	Supply Code	Parts name	Qty	R- ep- Q- TY	Status	Spec	Remarks
1			40150059			REVERSE_FEED_LEVER_SHAFT	1				
2			40142200			FEED_DIAL_(A)_ASM.	1				
3		*	40142201	40142200		FEED_DIAL_(A)	1	1.00			
4		*	PS0350102KR			SPRING_PIN_3.5X10	1				
5			40131601			CYLINDER_CONNECTING_SHAFT	1				
6			40131599			FEED_ADJUSTING_PIN	1				
7	☆		22911804			FEED_REGULATOR_SCREW	1				
8			22912000			FEED_REGULATOR_PIN	1				
9			22912109			FEED_REGULATOR_PIN_SPL	1				
10			PA200150900			AIR_CYLINDER	1				
11			40112127			BACKWARD_FEED_CONNECTING_SHAFT	1				
12			40112128			REVERSE_FEED_LEVER_PLATE	1				
13		*	40112281	40112128		REVERSE_FEED_REVER_PLATE	1	1.00	選択部品	糸切り仕様	
13		*	40112281	40126362		REVERSE_FEED_REVER_PLATE	1	1.00	選択部品	糸切り無仕様	
14		*	40112282	40112128		REVERSE_FEED_REVER_BUSH	1	1.00	選択部品	for LU	
14		*	40112282	40129991		REVERSE_FEED_REVER_BUSH	1	1.00	選択部品	for PLC	
15			40149039			FEED_DIAL_BASE	1				
16			SM8050412TP			SCREW_M5_L=4	2				
17			23630007			TUBE	.08				
18			NM6060001SD			NUT_M6	1				
19			SM6054502TP			SCREW_M5X0.8_L=45	2				
20			40126116			REVERSE_FEED_LEVER_DRUM	1				
21			40131591			ADJUSTING_BASE_A	1				
22			40125864			REVERSE_FEED_LEVER_SPL	1				
23			RO092270200			RUBBER_RING	1				
24			40131594			FEED_DIAL_ARM	1				
25			WT1780011KP			TOOTHED_WASHER_18	2				
26			SM6061402TP			SCREW_M6_L=14	2				
27			D2629M1YCOF			SPRING	1				
28			26229302			SUSPENSION_SCREW	1				
29			NM6050001SD			NUT_M5X0.8	1				
30			40131609			ADJUSTING_BASE_SHAFT	1				
31			SL4040881SC			SCREW_M4_L=8	2				
32			SM4050855SP			SCREW	1				
33			SM6051400SP			SCREW	1				
34			SM6051202TP			SCREW_M5X0.8_L=12	1				
35			SM8060412TP			SCREW	2				
36			40143624			BACKWARD_LEVER_SHAFT	1				
37			40135860			ADJUSTING_BASE_SCREW	1				
38			40131610			FEED_DIAL_SHAFT	1				
39			40125920			ADJUSTING_BASE_B	1				
40			SS6121860SP			SCREW_3/16-28_L=18	1				
41	☆		22911804			FEED_REGULATOR_SCREW	1				
42			40122887			FEED_REGULATOR_PIN	1				
43			22912109			FEED_REGULATOR_PIN_SPL	1				
44			40131596			FEED_ADJUSTING_PIN_HOLE	1				
45			EA9500B0100			CABLE_BAND	1				
46			40126642			CYLINDER_BASE_A	1				
47			40126643			CYLINDER_BASE_B	1				
48			SD0900426TP			SHOULDER_SCREW_D=9_H=	2				
49			40134993			FEED_DIAL_2820_ASM	1				
50		*	PS0350102KR			SPRING_PIN_3.5X10	1				
51	☆	*	40134994	40134993		FEED_DIAL_2820	1	1.00			
52			BT0400251EB			URETHANE_HOSE_BLACK	.36				
53			BT0400251EB			URETHANE_HOSE_BLACK	.36				
54			PJ046052503			HOSE_ELBOW	2				
55			40112267			CYLINDER_JOINT	1				
56	☆		RO092270200			RUBBER_RING	1				
57			SD0800346TP			SHOULDER_SCREW	1				
58			40131600			LINK_C	1				

FEED ADJUST COMPONENTS





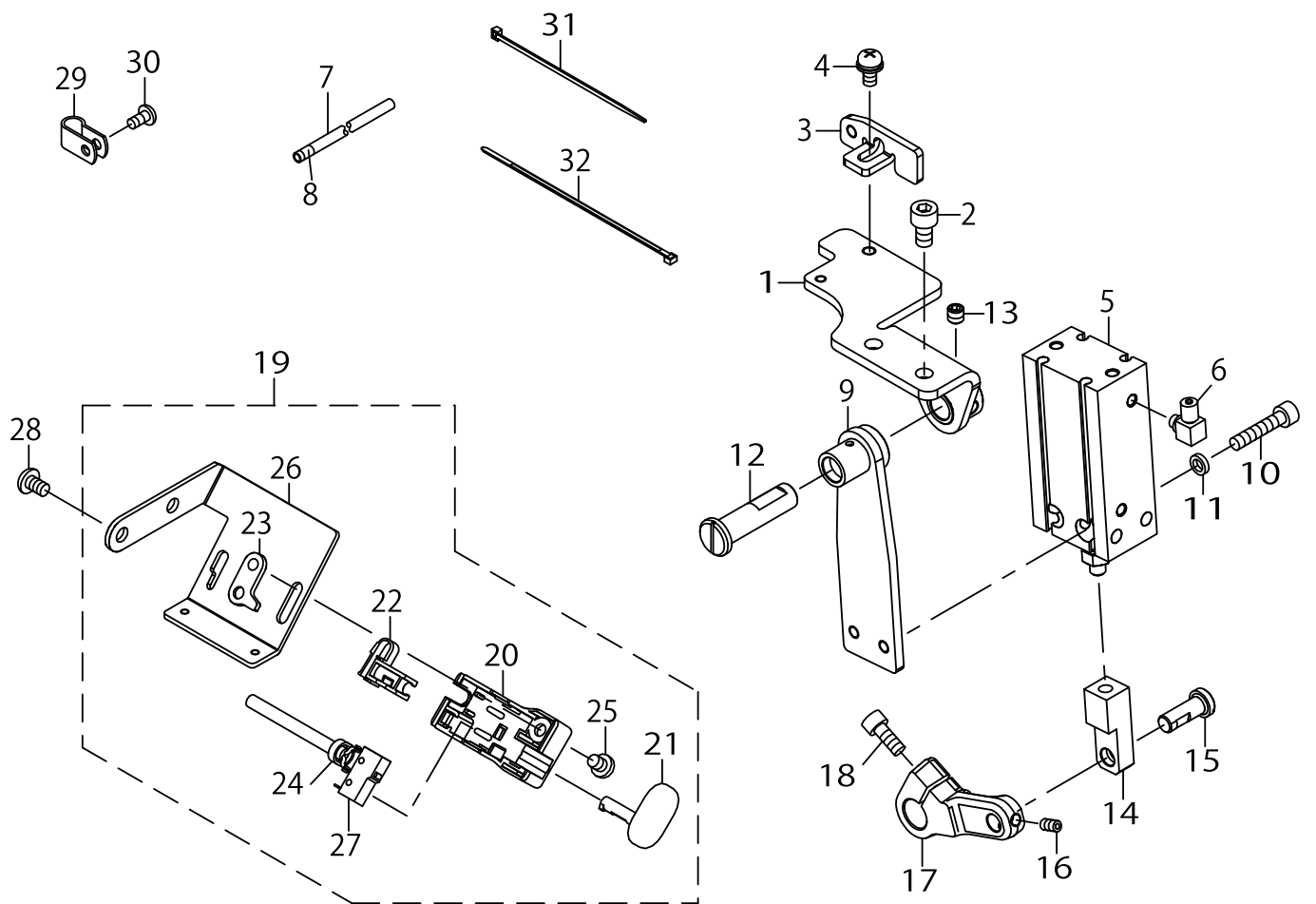
AUTO BT COMPONENTS (FOR LU-2828-7)



AUTO BT COMPONENTS (FOR LU-2828-7)

No.	C- ons	Le- vel	Parts No.	Replacement	Supply Code	Parts name	Qty	R- ep. Q- TY	Status	Spec	Remarks
1			SL4051091SC			SCREW_M5X0.8_L=10	1				
2			40131603			BT_LINK_A	1				
3			40131593			BT_LINK_B	1				
4			40125872			CYLINDER_BRACKET	1				
5			40112140			CYLINDER_STAY	1				
6			40131608			CYLINDER_KNUCKLE_JOIN	1				
7			SM4050855SP			SCREW	2				
8			40131604			BT_LINK_STUD	1				
9			40112228			MOTOR_COVER_FITTING_P	1				
10			40142208			AIR_CYLINDER	1				
11			SM6050802TP			SCREW_M5X0.8_L=8	2				
12			SM6061002TP			SCREW_M6_L=10	2				
13			BT0400251EB			URETHANE_HOSE_BLACK	.27				
14			PJ046052503			HOSE_ELBOW	1				
15			SM6056552TP			SCREW	3				
16			18035709			WIRE_MARK_(8)	1				
17			SD0800406TP			SHOULDER_SCREW_D=8_H=	3				
18			NM6050001SE			NUT_M5	1				
19			40112288			TB_SWITCH_ASSY	1				
20		*	23632102			REVERSE_FEED_SWITCH_B	1				
21		*	40112213			TB_SW_MOUNTING_PLATE	1				
22		*	23631708			REVERSE_FEED_SWITCH_C	1				
23		*	23631807			REVERSE_FEED_SWITCH_SF	1				
24		*	23631906			REVERSE_FEED_SWITCH_SU	1				
25		*	SS7110740TP			SCREW_11/64-40_L=7	1				
26		*	40126129			REVERSE_FEED_CORD_ASM	1				
27		*	EA9500B0100			CABLE_BAND	1				

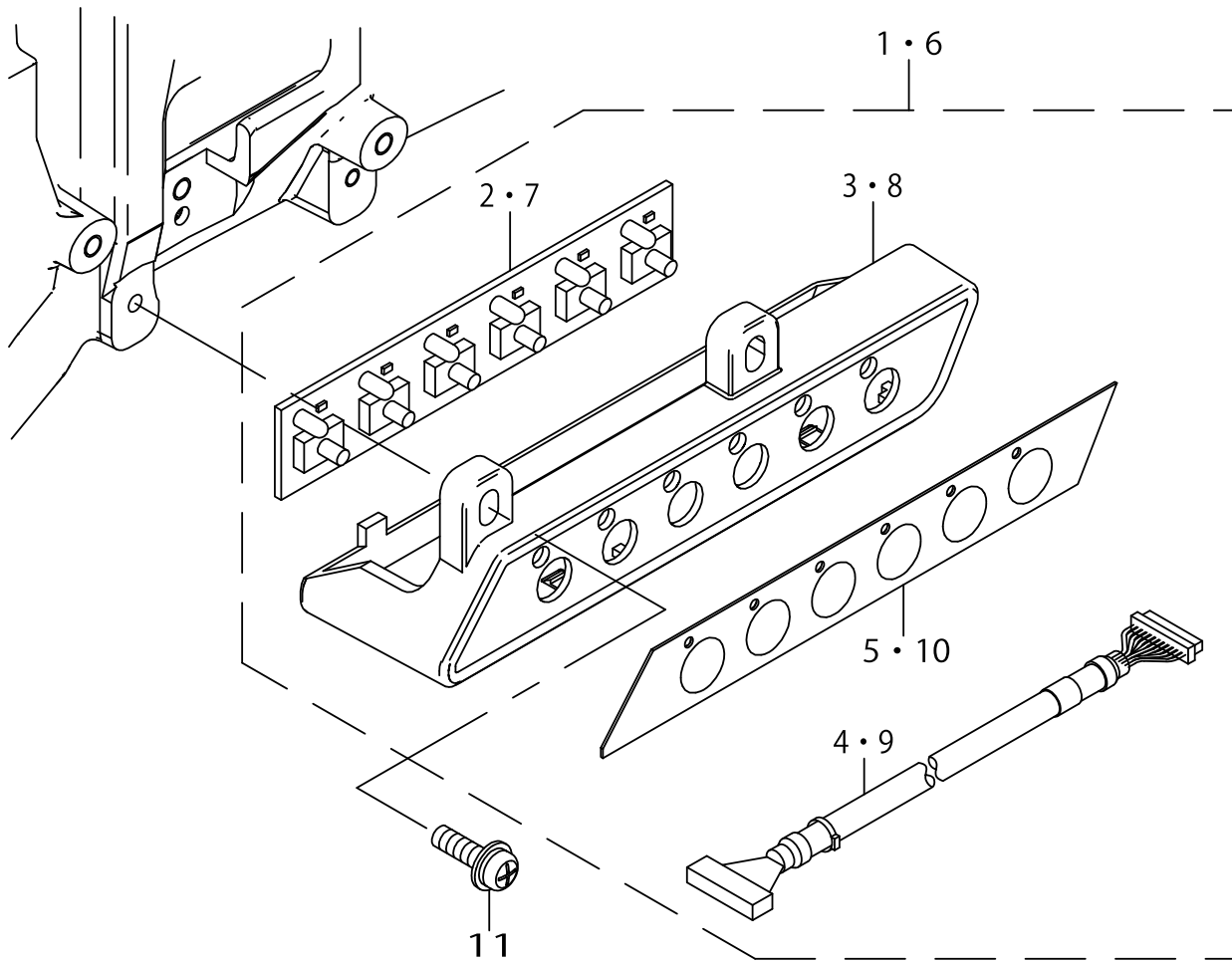
AUTO BT COMPONENTS (FOR LU-2828-6)



AUTO BT COMPONENTS (FOR LU-2828-6)

No.	C- ons	Le- vel	Parts No.	Replacement	Supply Code	Parts name	Qty	R- ep- Q- TY	Status	Spec	Remarks
1			40142041			CYLINDER_BASE_ASM.	1				
2			SM6061002TP			SCREW_M6_L=10	2				
3			40112228			MOTOR_COVER_FITTING_P	1				
4			SL4051091SC			SCREW_M5_L=10	1				
5			PA2004004A0			CYLINDER	1				
6			PJ046052503			HOSE_ELBOW	1				
7			BT0400251EB			URETHANE_TUBE_BLACK_4	.9				
8			18035709			WIRE_MARK_(8)	1				
9			40142040			CYLINDER_FITTING_PLATE	1				
10			SM6052502TN			SCREW	2				
11			13441001			SPACER_2	2				
12			40006716			THREAD_TRIMMER_SHAFT	1				
13			SM8060612TP			SCREW_M6_L=6	2				
14			40139485			FEED_ADJUSTING_LINK_RO	1				
15			40139486			FEED_ADJUSTING_LINK_SH	1				
16			SM8050612TP			SCREW_M5X6	2				
17			40131592			FEED_ADJUSTING_LINK_AR	1				
18			SM6051202TP			SCREW_M5X0.8_L=12	1				
19			40142048			TB_SW_ASSY	1				
20		*	23631708			REVERSE_FEED_SWITCH_C	1				
21		*	23631807			REVERSE_FEED_SWITCH_SH	1				
22		*	23631906			REVERSE_FEED_SWITCH_SU	1				
23		*	23632102			REVERSE_FEED_SWITCH_B	1				
24		*	EA9500B0100			CABLE_BAND	1				
25		*	SS7110740TP			SCREW_11/64-40_L=7	1				
26		*	40112213			TB_SW_MOUNTING_PLATE	1				
27		*	40142049			REVERSE_FEED_CORD_ASM	1				
28			SM4050855SP			SCREW	2				
29			HX00150000B			CABLE_CLIP	1				
30			SM4040855SP			SCREW	1				
31			EA9500B0100			CABLE_BAND	10				
32			HX00065000A			CABLE_CLIP	10				

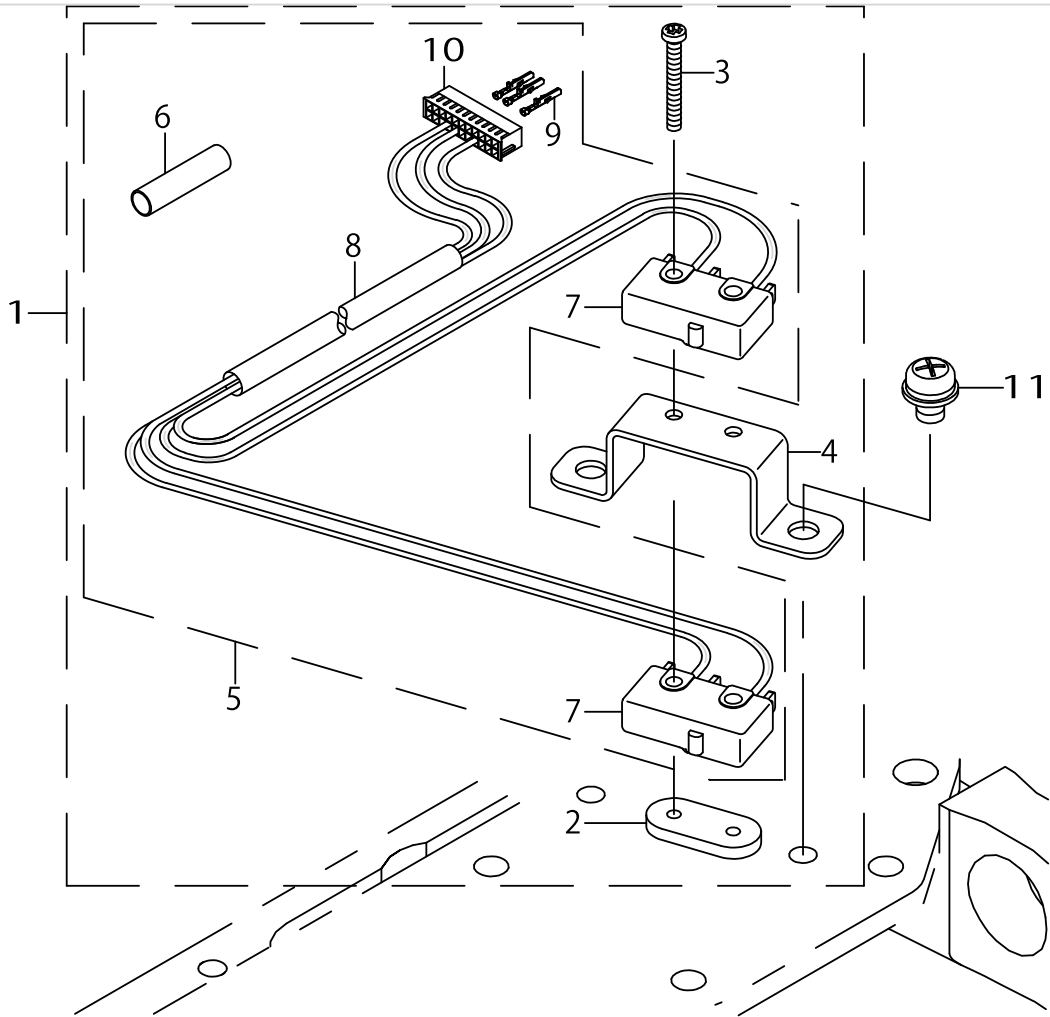
6-RANGE SW COMPONENTS



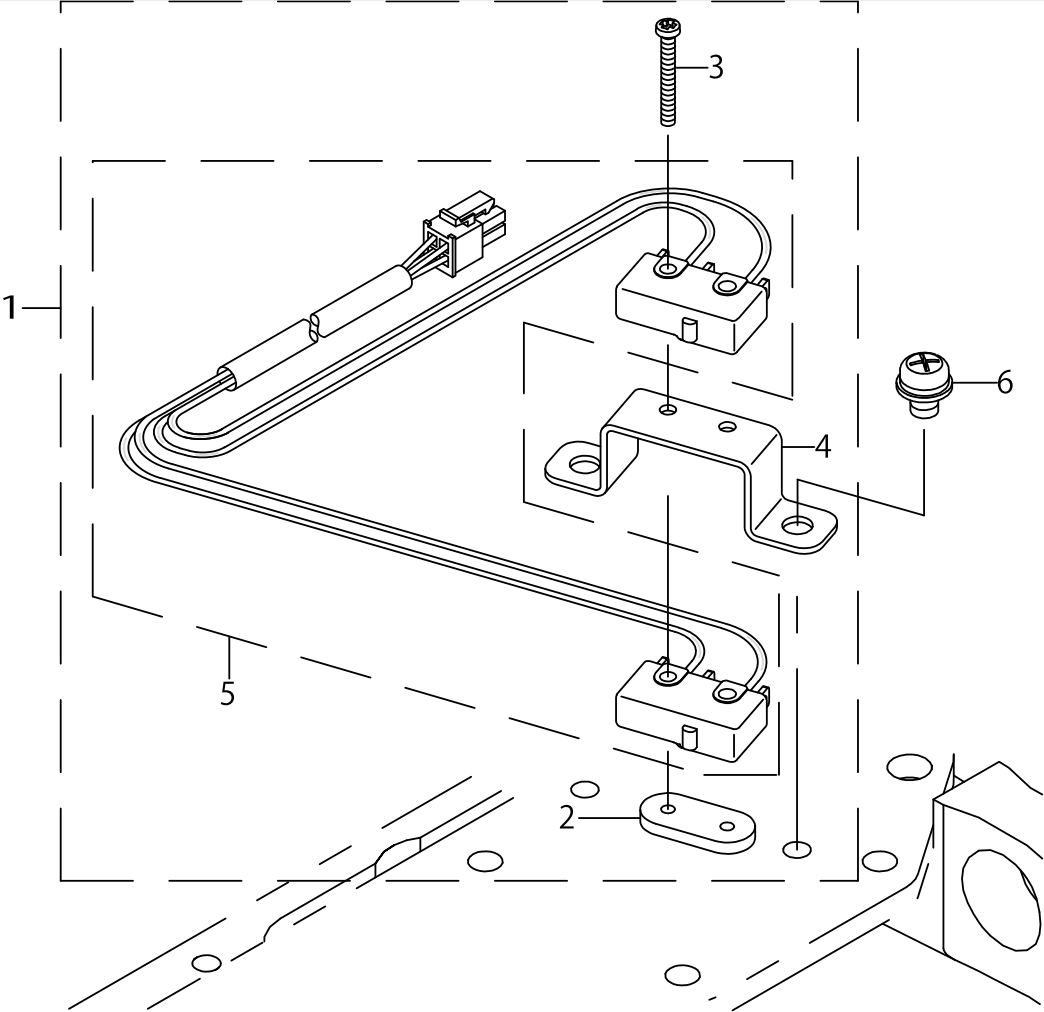
6-RANGE SW COMPONENTS

No.	C- ons	Le- vel	Parts No.	Replacement	Supply Code	Parts name	Qty	R- ep. Q- TY	Status	Spec	Remarks
1			40105508			6RANGE_SWITCH_ASM	1				
2		*	40105510			6RANGE_SWITCH_PCB_ASS'	1				
3		*	40112215	40105508		6RANGE_SWITCH_COVER	1	1.00	選択部品	LU2800	
3		*	40112215	40130287		6RANGE_SWITCH_COVER	1	1.00	選択部品	PLC2700	
4		*	40105509			6RANGE_SWITCH_CABLE_A	1				
5		*	40112216			PANEL_SHEET	1				
6			40142064			6RANGE_SWITCH_ASM	1				FOR LU-2828-6
7		*	40105510			6RANGE_SWITCH_PCB_ASS'	1				FOR LU-2828-6
8		*	40112215	40105508		6RANGE_SWITCH_COVER	1	1.00	選択部品	LU2800	FOR LU-2828-6
8		*	40112215	40130287		6RANGE_SWITCH_COVER	1	1.00	選択部品	PLC2700	FOR LU-2828-6
9		*	40142054			6RANGE_SWITCH_CABLE_A	1				FOR LU-2828-6
10		*	40112216			PANEL_SHEET	1				FOR LU-2828-6
11			SL4041491SC			SCREW_4X14	2				

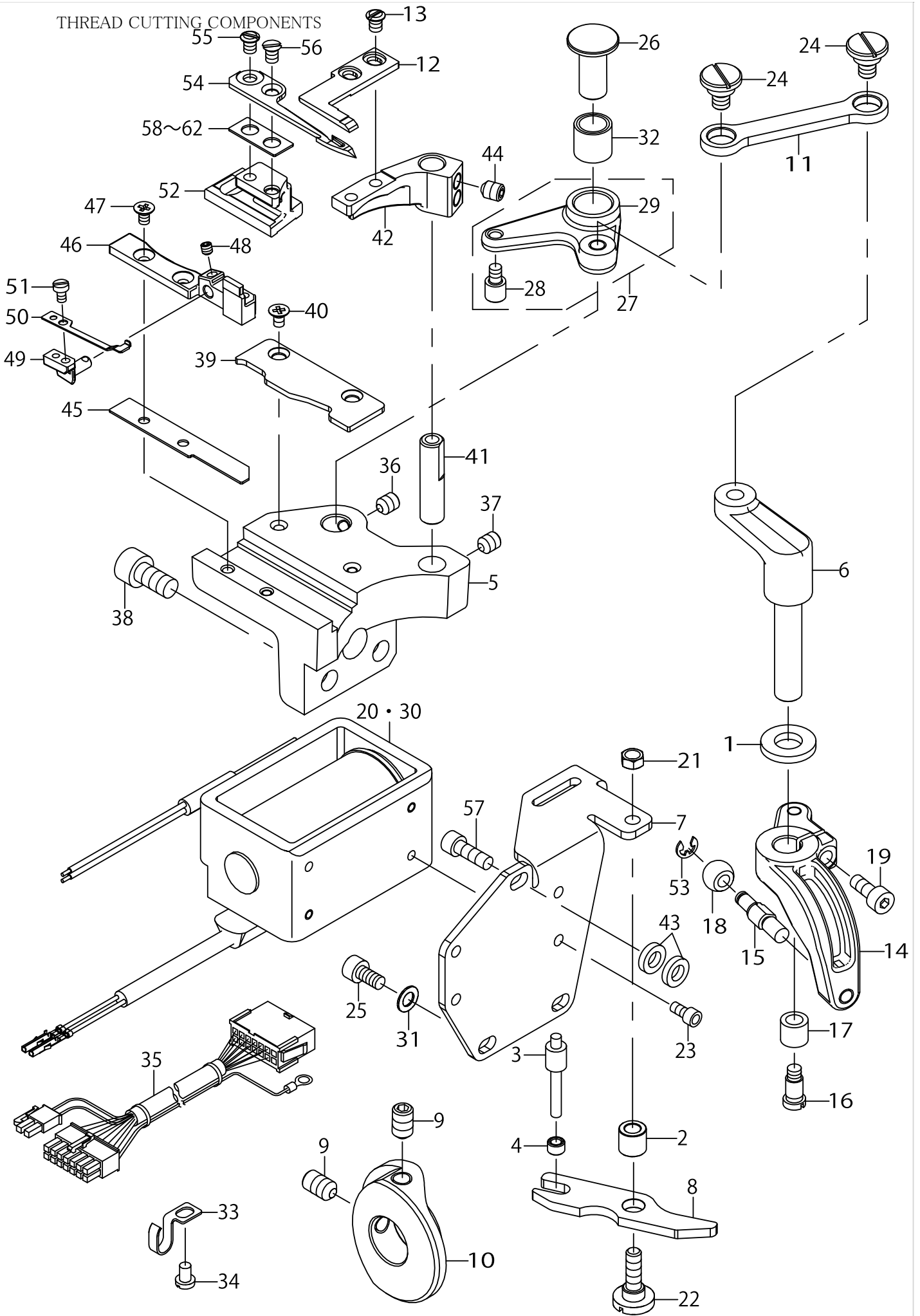
SPEED ADJUST COMPONENTS (FOR LU-2828-7)



SPEED ADJUST COMPONENTS (FOR LU-2828-6)



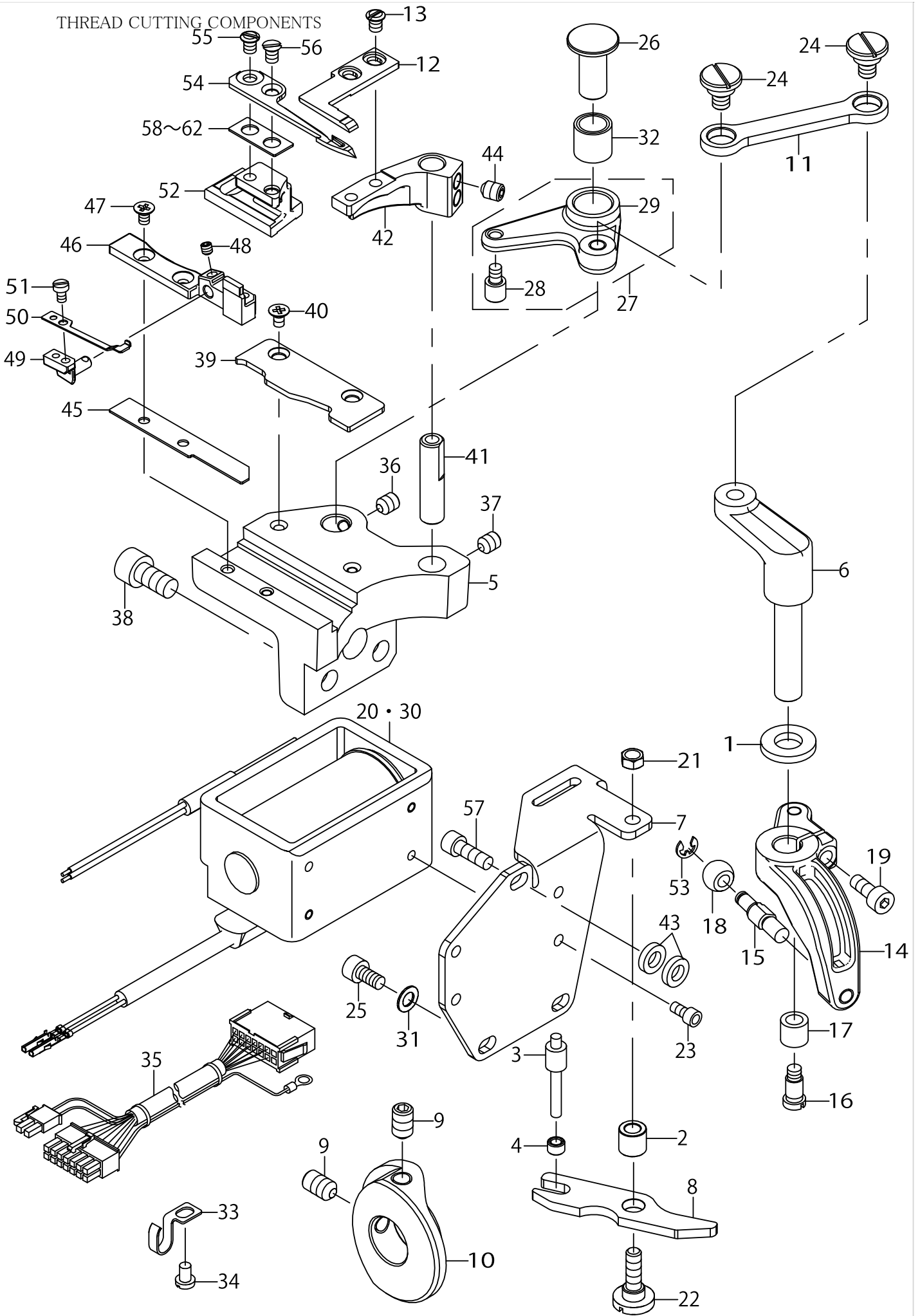
THREAD CUTTING COMPONENTS



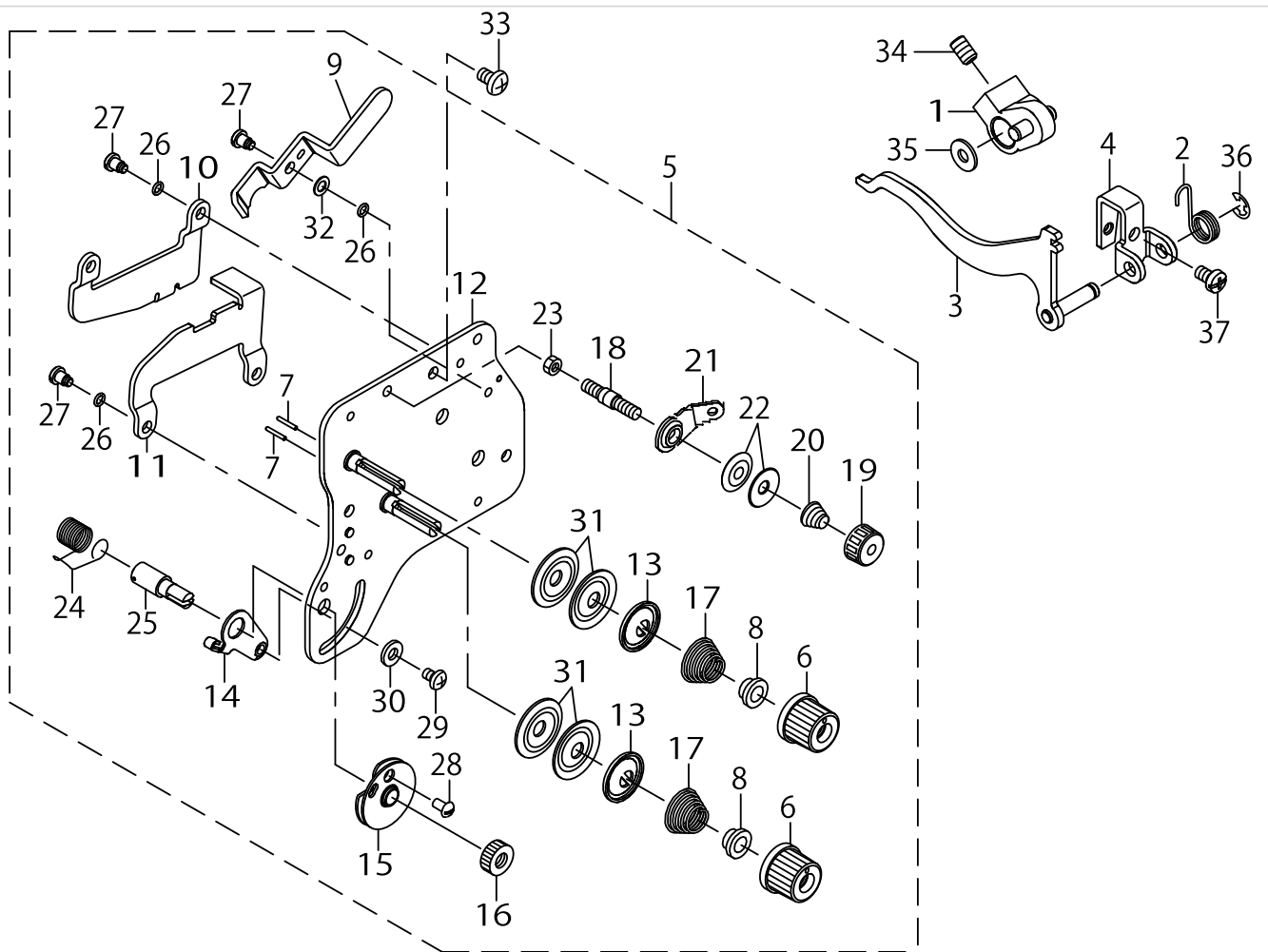
THREAD CUTTING COMPONENTS

No.	C- ons	Le- vel	Parts No.	Replacement	Supply Code	Parts name	Qty	R- ep. Q- TY	Status	Spec	Remarks
1			B185351200E			HOOK_SHAFT_WASHER	1				
2			22956205			WIPER_HINGE_SCREW_COL	1				
3			22957104			WIPER_SOLENOID_SHAFT	1				
4			22957203			WIPER_LINK_COLLAR	1				
5			40147930			KNIFE_BASE	1				
6			40131636			M_KNIFE_DRIVING_SHAFT	1				
7			40131640			THREAD_TRIMMER_SOL_BA	1				
8			40131638			KNIFE_DRIVING_ARM_LINK	1				
9			SM8061002TP			SCREW_M6_L=10	2				
10			40131633			S_TRM_CAM_R	1				
11			40131635			CONNECTION_LINK	1				
12	☆		40135498			FIXED_KNIFE	1				
13			SS6090580TP			SCREW_9/64-40_L=4.5	2				
14			40131637			MOVING_KNIFE_DRIVING_A	1				
15			40130593			ROLLER_SHAFT	1				
16			SD0500726TP			SHOULDER_SCREW_D=5_H=	1				
17			13737804			DRIVING_ARM_BOSS_ROLLI	1				
18			21470505			CAM_ROLLER(245-7SP)	1				
19			SM6041002TP			SCREW_M4_L=10	1				
20			40112251	40137921		THREAD_TRIMMER_SOLENO	1	1.00			
21			NS6110310SP			NUT_11/64-40	1				
22			SD0650321TP			HINGE_SCREW_D=6.5_H=3.2	1				
23			SM6030602TP			SCREW_M3X0.5_L=6	4				
24			SD0800329TP			SHOULDER_SCREW	2				
25			SM6040802TP			SCREW_M4X0.7_L=8	2				
26			40135897			M_KNIFE_SUPPORT_PIN	1				
27			40149043			ASSY_KNIFE_DRIVING_ARM	1				
28	☆	*	40012499	40012497		KNIFE_BASE_SHAFT_PIN	1	1.00	選択部品	LH4100	
28	☆	*	40012499	40149043		KNIFE_BASE_SHAFT_PIN	1	1.00	選択部品	LU2800	
29		*	40131617			M_KNIFE_DRIVING_ARM	1				
30			40142050	40137921		THREAD_TRIMMER_SOLENO	1	1.00			FOR LU-2828-6
31			WP0450000SD			WASHER_4.5X8X0.5	3				
32			SB30800140A			BEARING	1				
33			26231902			OIL_WICK_PIPE_STOPPER	1				
34			SM4040655SP			SCREW_M4_L=6	1				
35			40126130			SOLENOID_RELAY_CABLE_	1				
36			SM80506A2TP			SCREW M5 L=6	1				
37			SM80506A2TP			SCREW_M5_L=6	2				
38			SM6061202TP			SCREW_M6_L=12	2				
39			40147927			D_KNIFE_BASE_GUIDE_R	1				
40			SM1030601SN			SCREW_M3X0.5_L=6	2				
41			40131616			F_KNIFE_BASE_SHAFT	1				
42			40147928			F_KNIFE_BASE	1				
43			40021606			WASHER(B)	2				
44			SS8110422TP			SCREW_11/64-40_L=4	2				
45			40147929			DRIVING_KNIFE_SUPPORT_	1				
46			40147926			D_KNIFE_SPPORT_R	1				
47			SM1030601SN			SCREW_M3X0.5_L=6	2				
48			SM8030312TP			SCREW_M3_L=3	1				
49			40134967			CLAMP_SPRING_BASE	1				
50	☆		40135955			CLAMP_SPRING	1				
51			SM6850400SP			SCREW_M2.5_L=4	1				
52			40147937			DRIVING_KNIFE_BASE	1				
53			RE0300000K0			E-RING_3	1				
54	☆		40147938			DRIVING_KNIFE	1				
55			SS6090580TP			SCREW_9/64-40_L=4.5	1				
56			SS1090520TP			SCREW_9/64-40_L=5	1				
57			SM6041202TP			SCREW_M4X0.7_L=12	1				
58			40147932			DRIVING_KNIFE_SPACER_T	1				SELECTIVE PAF
59			40147933			DRIVING_KNIFE_SPACER_T	1				SELECTIVE PAF

THREAD CUTTING COMPONENTS



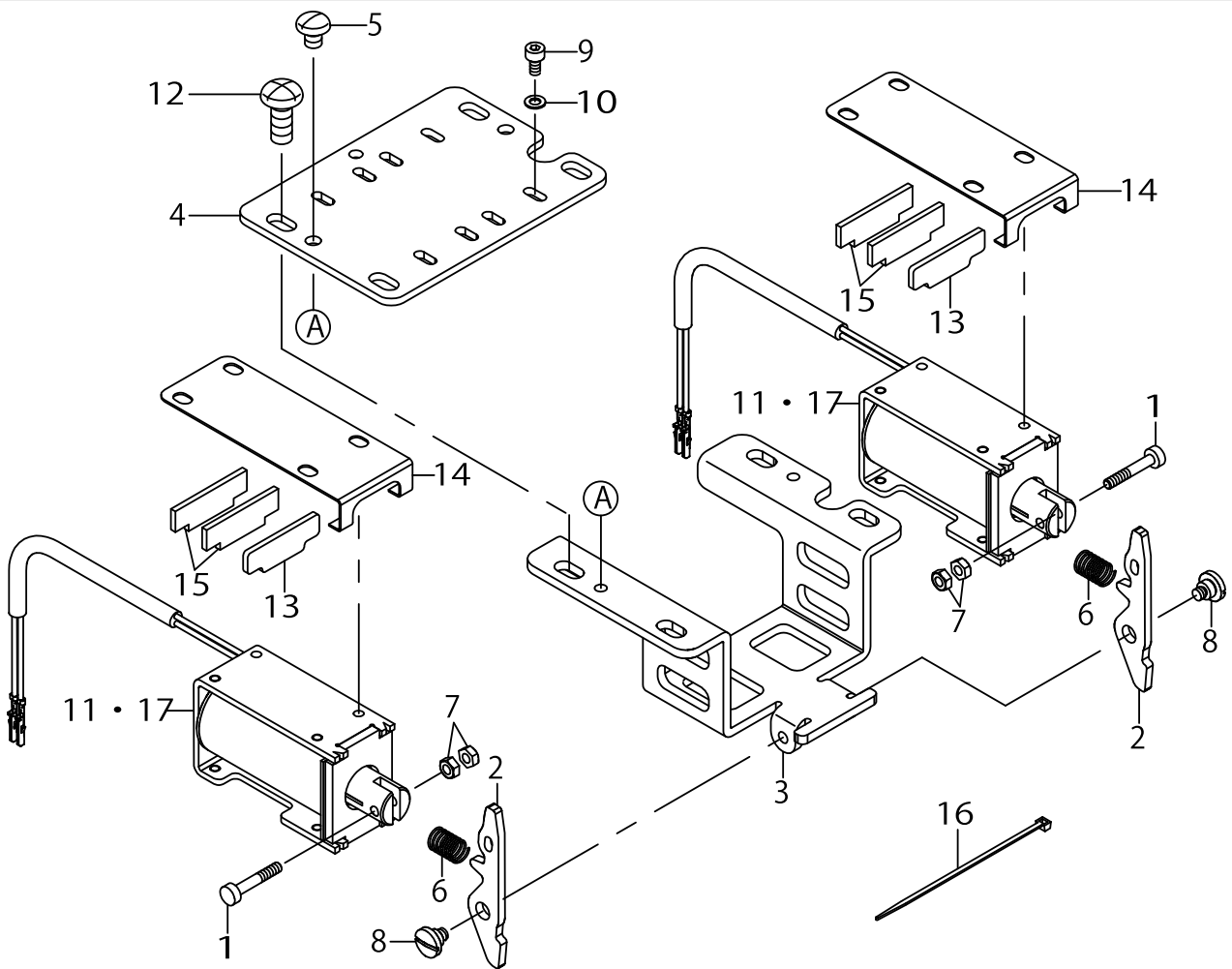
THREAD TENSION COMPONENTS



THREAD TENSION COMPONENTS

No.	C- ons	Le- vel	Parts No.	Replacement	Supply Code	Parts name	Qty	R- ep. Q- TY	Status	Spec	Remarks
1			22912257			FEED_REVERSE_ARM_ASM.	1				
2			22954309			REVERSE_FEED_SWITCH_SF	1				
3			40126265			DISK_RELEASE_LINK_ASM	1				
4			40125873			DISK_RELEASE_LINK_BASE	1				
5			40126373			THREAD_TENSION_ASM_28:	1				
6	☆	*	13817408			THREAD_TENSION_NUT	2				
7	☆	*	22618201			TENSION_RELEASE_PIN_A	2				
8		*	B3112704000			TENSION_SPRING_BUSHING	2				
9		*	40112204		Disconinue	TENSION_RELEASE_LEVER	1				
10		*	40112218			DISK_RELEASE_PLATE_A	1				
11		*	40112219			DISK_RELEASE_PLATE_B	1				
12		*	40126404			ASSY_TENSION_BASE_PLAT	1				
13		*	40126724			TENSION_DISC_HOLDER	2				
14		*	10697506			THREAD_TENSION_BRACKI	1				
15		*	B31375270A0			TAKE-UP_SPRING_GUIDE_A	1				
16		*	22617807	22928808		NUT	1	1.00			
17	☆	*	12938304			TENSION_SPRING	2				
18		*	22528806			PRE_TENSION_POST	1				
19		*	22945703			THREAD_TENSION_NUT	1				
20	☆	*	22963409	22963458		THREAD_TENSION_SPRING	1	1.00			
21		*	22529408		Disconinue	BOBBIN_THREAD_GUIDE	1				
22		*	22945802			THREAD_TENSION_DISK	1				
23		*	NS6110310SP			NUT_11/64-40	1				
24	☆	*	22618706			THREAD_TAKE-UP_SPRING	1				
25		*	10320109			SCREW_STUD	1				
26		*	RO037180100			RUBBER_RING	5				
27		*	SD0450401SP			HINGE_SCREW_D=4.5_H=4	5				
28		*	SS3090710TP			SCREW_9/64-40_L=7	1				
29		*	SS4110615SP			SCREW_11/64-40_L=6	1				
30		*	WP0501016SD			WASHER_5X10.5X1	1				
31		*	B3126012000	22921506		THREAD_TENSION_DISK	4	1.00			
32		*	WP0460556SD			WASHER_4.6X7.5X0.5	1				
33			SM4051001SN			SCREW_M5	3				
34			SS8661012TP			SCREW	1				
35			22528509			FELT	1				
36			RE0500000K0			E-RING	1				
37			SM4050855SP			SCREW	1				

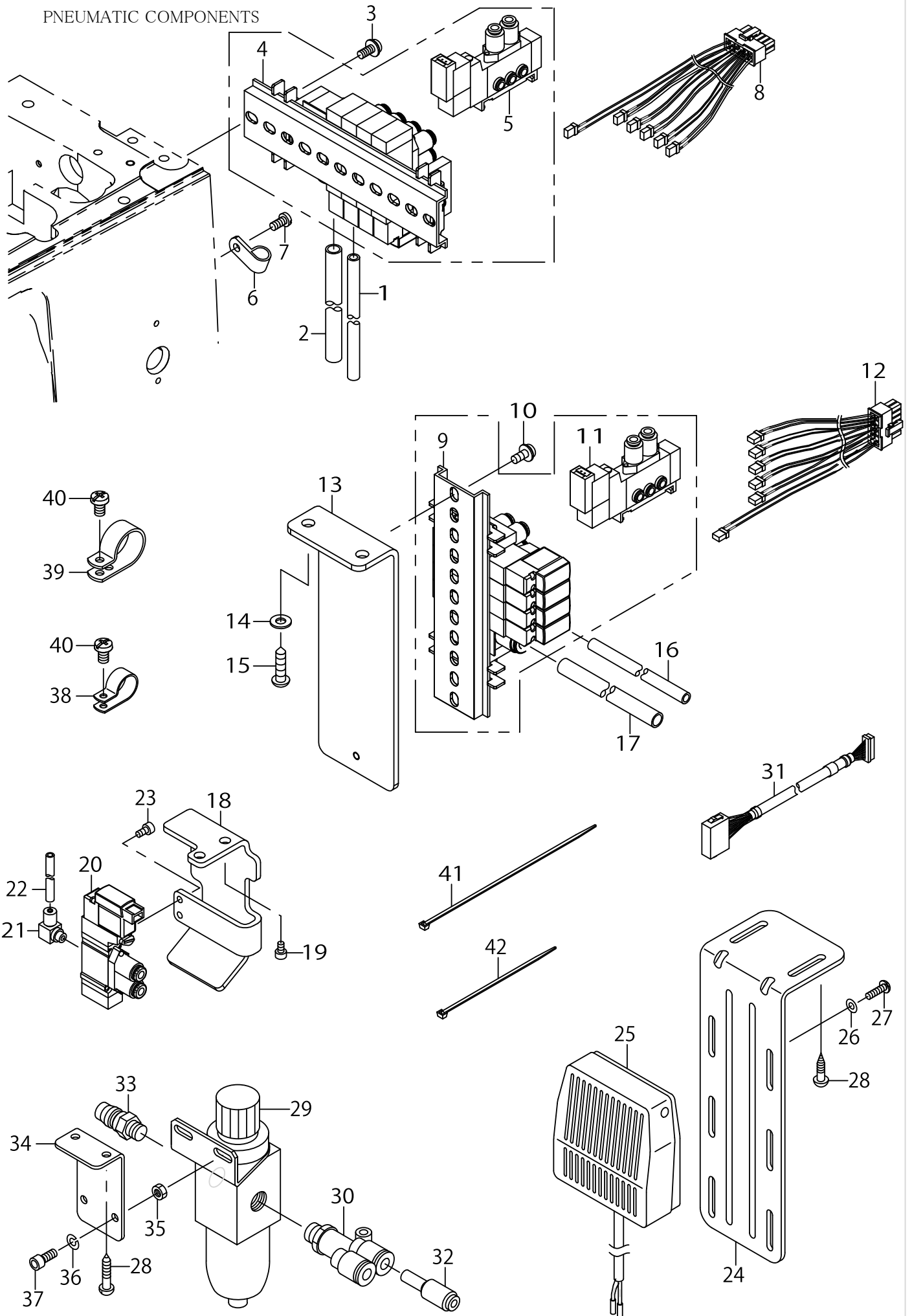
TENSION RELEASE COMPONENTS



TENSION RELEASE COMPONENTS

No.	C- ons	Le- vel	Parts No.	Replacement	Supply Code	Parts name	Qty	R- ep. Q- TY	Status	Spec	Remarks
1			23542418			CLUTCH_LINK_PIN	2				
2			40125948			RELEASE_SOLENOID_LINK	2				
3			40126263			SOLENOID_LINK_MOUNTIN	1				
4			40125949			RELEASE_SOLENOID_BASE	1				
5			SS4090515SP			SCREW_9/64-40_L=5	2				
6			32055501			AT_(UPPER)_SPRING	2				
7			NM6030001SC			NUT_M3X0.5_TYPE1	4				
8			SD0550271TP			HINGE_SCREW_D=5.5_H=2.7	2				
9			SM6030602TP			SCREW_M3X0.5_L=6	8				
10			WP0320501SE	WP0320501SC		WASHER_3.2X7X0.5	8	1.00			
11			40112285			TENSION_RELEASE_SOLEN	2				
12			SM4051255SP			SCREW_M5_L=12	4				
13			40126563			STOPPER_PLATE	2				
14			40126562			RUBBER HOLDER	2				
15			40086679			WIPER_STOPPER_RUBBER	4				
16			EA9500B0100			CABLE_BAND	1				
17			40142051			TENSION_RELEASE_SOLEN	2				FOR LU-2828-6

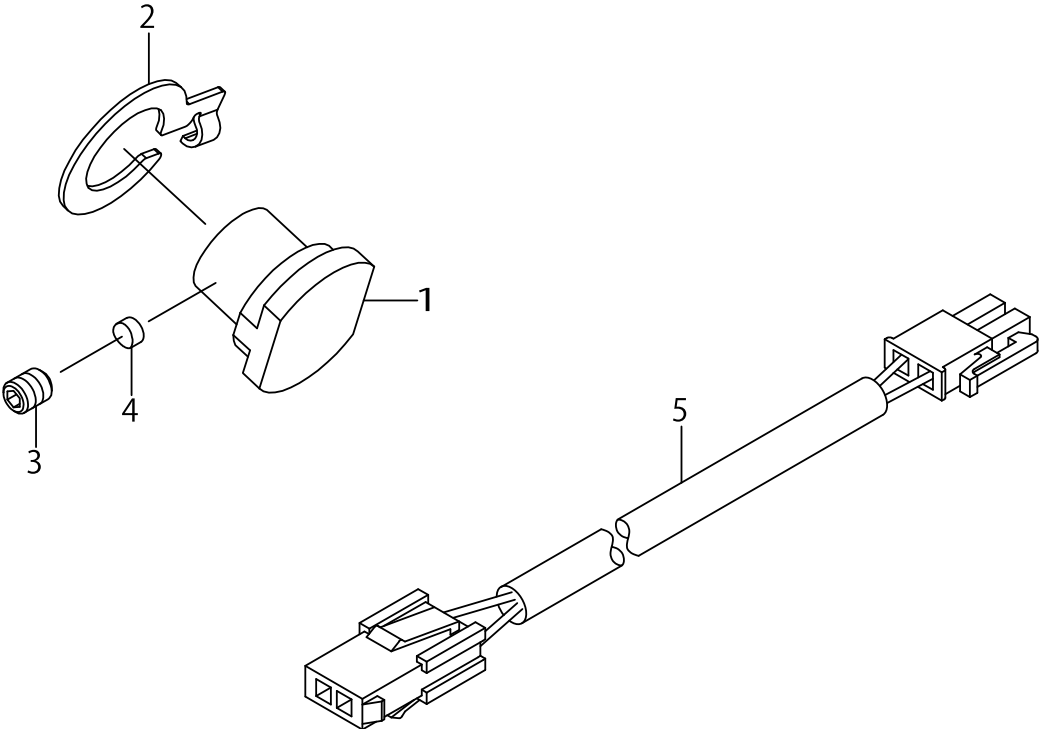
PNEUMATIC COMPONENTS



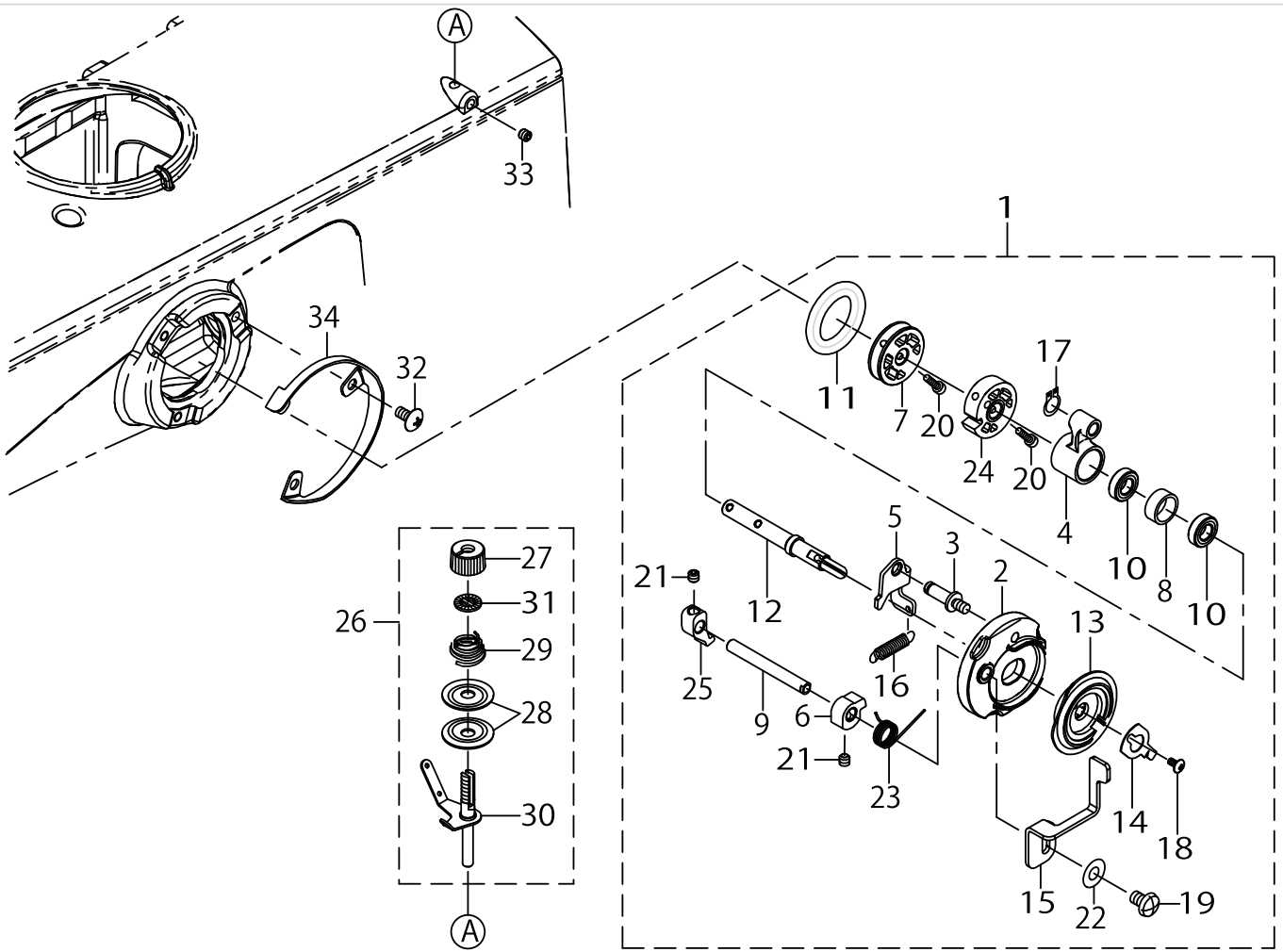
PNEUMATIC COMPONENTS

No.	C- ons	Le- vel	Parts No.	Replacement	Supply Code	Parts name	Qty	R- ep- Q- TY	Status	Spec	Remarks
1			BT0600401EB			TUBE	1.1				FOR LU-2828-7
2			BT0800501EB			VINYL_TUBE	1.1				FOR LU-2828-7
3			SL4041091SC			SCREW_M4_L=10	2				FOR LU-2828-7
4			40126545			SOLENOID_VALVE_ASSY	1				FOR LU-2828-7
5			PV150209000			5_PORT_SOLENOID_VALVE	1				FOR LU-2828-7
6			HX00150000C			CABLE_CLIP	1				FOR LU-2828-7
7			SM4040855SP			SCREW	1				FOR LU-2828-7
8			40137611			SOLENOID_VALVE_CABLE_	1				FOR LU-2828-7
9			40126545			SOLENOID_VALVE_ASSY	1				FOR LU-2828-6
10			SL4041091SC			SCREW_M4_L=10	2				FOR LU-2828-6
11			PV150209000			5_PORT_SOLENOID_VALVE	1				FOR LU-2828-6
12			40137611			SOLENOID_VALVE_CABLE_	1				FOR LU-2828-6
13			40030950			SORENOID_VALVE_FITTING	1				FOR LU-2828-6
14			WP0501016SD			WASHER_5X10.5X1	2				FOR LU-2828-6
15			SK3512001SE			WOOD_SCREW_D=5.1_L=20	2				FOR LU-2828-6
16			BT0600401EB			TUBE	1.1				FOR LU-2828-6
17			BT0800501EB			VINYL_TUBE	1.1				FOR LU-2828-6
18			40147925			SOLENOID_VALVE_COVER	1				
19			SM6050802TP			SCREW_M5X0.8_L=8	2				
20			PV150206000			5-PORT_CUT-OVER_SOLEN	1				
21			PJ046052503			HOSE_ELBOW	1				
22			BT0400251EB			URETHANE_HOSE_BLACK	1.1				
23			SM6030602TP			SCREW_M3X0.5_L=6	2				
24			40126266			KNEE_SWITCH_BASE_PLAT	1				
25			40105518			KNEE_SW_ASM	1				
26			WP0430801SC			WASHER_M4	2				
27			ST4041451SN			TAPPING_SCREW	2				
28			SK3482001SE			WOOD_SCREW_D=4.8_L=20	4				
29			PF055107000			FILTER_REGULATOR	1				
30			PJ308065101			BRANCH	1				
31			40126127			AIR_VALVE_RELAY_CABLE_	1				FOR LU-2828-7
32			PJ301040001			REDUCER	1				
33			PJ025100003			PLUG	1				
34			13860408			REGULATOR_BRACKET	1				
35			NM6050001SP			NUT_M5	2				
36			WS0510002KN			SPRING_WASHER_M5	2				
37			SM6051202TP			SCREW_M5X0.8_L=12	2				
38			HX00150000H			CABLE_CLIP	1				FOR LU-2828-7
39			HX00150000M			CABLE_CLIP	1				FOR LU-2828-7
40			SM4040855SP			SCREW	2				FOR LU-2828-7
41			EA9500B0200			CABLE_BAND_150	3				
42			EA9500B0100			CABLE_BAND	2				

NEEDLE THREAD CLAMP COMPONENTS



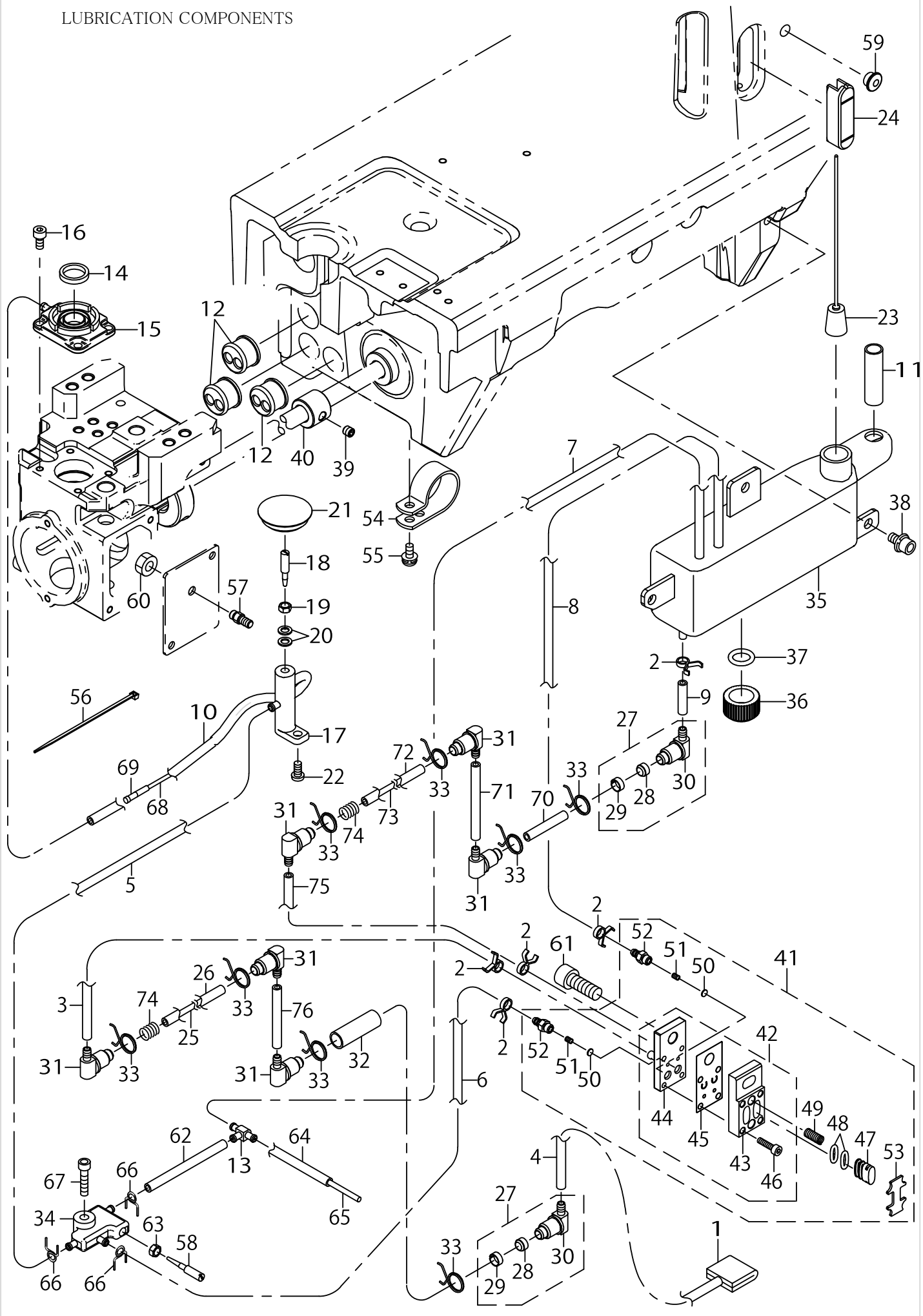
BOBBIN WINDER COMPONENTS



BOBBIN WINDER COMPONENTS

No.	C- ons	Le- vel	Parts No.	Replacement	Supply Code	Parts name	Qty	R- ep. Q- TY	Status	Spec	Remarks
1			40126355			BOBBIN_WINDER_UNIT	1				
2		*	26260109	26260000		BTW_BASE	1	1.00			
3		*	26260307			BTW_BASE_SHAFT	1				
4		*	26260406			BTW_SHAFT_BASE	1				
5		*	40126594			BTW_CAM_PLATE	1				
6		*	26260505			BTW_CAM_LEVER	1				
7		*	40125851			WINDER_WHEEL	1				
8		*	26260802	26260000		BTW_BEARING_SPACER	1	1.00			
9		*	26261008			BTW_LEVER_SHAFT	1				
10		*	40126354			WINDER_BEARING	1				
11	☆	*	26261503			BTW_WHEEL_RUBBER	1				
12		*	40126550			BOBBIN_SHAFT	1				
13		*	40125927			BOBBIN_BASE	1				
14		*	40126311			WINDER_CUTTER	1				
15		*	40151791			BOBBIN_LEVER	1				
16		*	13718507			SPRING	1				
17		*	RC0560711KP			RETAINING_RING	1				
18		*	SM0030601SC			SCREW_M3X0.5_L=6	1				
19		*	SM5040655SN			SCREW	1				
20		*	SM6031202TP			SCREW_M3X0.5_L=12	1				
21		*	SM8050502TP			SCREW_M5_L=5	2				
22		*	WP0450826SC			WASHER_4.5X10X0.8	1				
23		*	40126549			HELICAL_TORSION_COIL_S	1				
24		*	40125928			WINDER_LATCH_CAM_L	1				
25		*	40125844			WINDER_LATCH_B	1				
26			40088958			BOBBIN_THREAD_TENSION	1				
27		*	22921308			THREAD_TENSION_NUT	1				
28		*	22921506			THREAD_TENSION_DISK	1				
29	☆	*	22921704			THREAD_TENSION_SPRING	1				
30		*	40088959			BOBBIN_THREAD_TENSION	1				
31		*	22921407			ROTATION_STOPPER	1				
32			SM0051001SC			SCREW	3				
33			SM8051002TP			SCREW_M5_L=10	1				
34			40152022			BTW_GUARD	1				

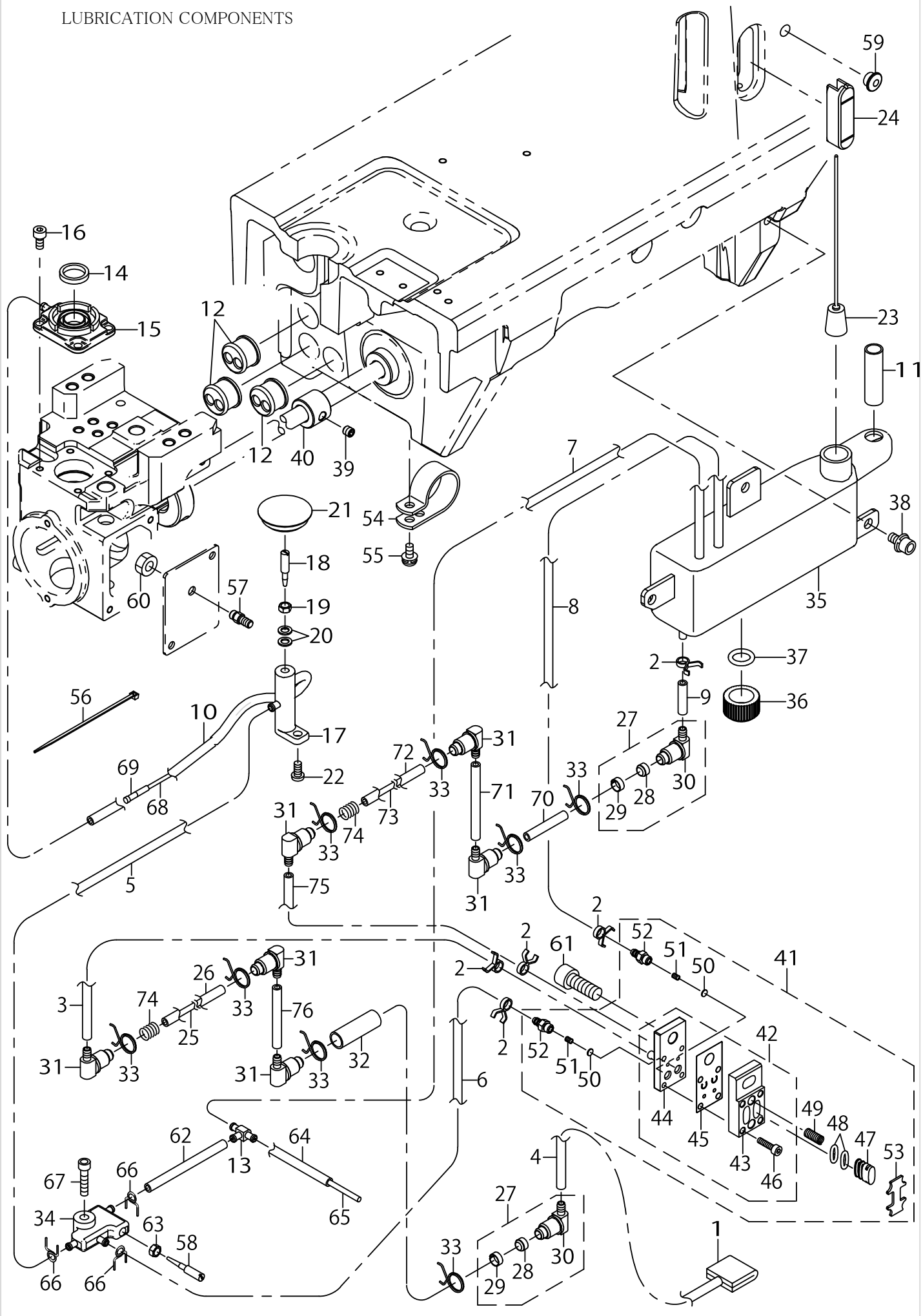
LUBRICATION COMPONENTS



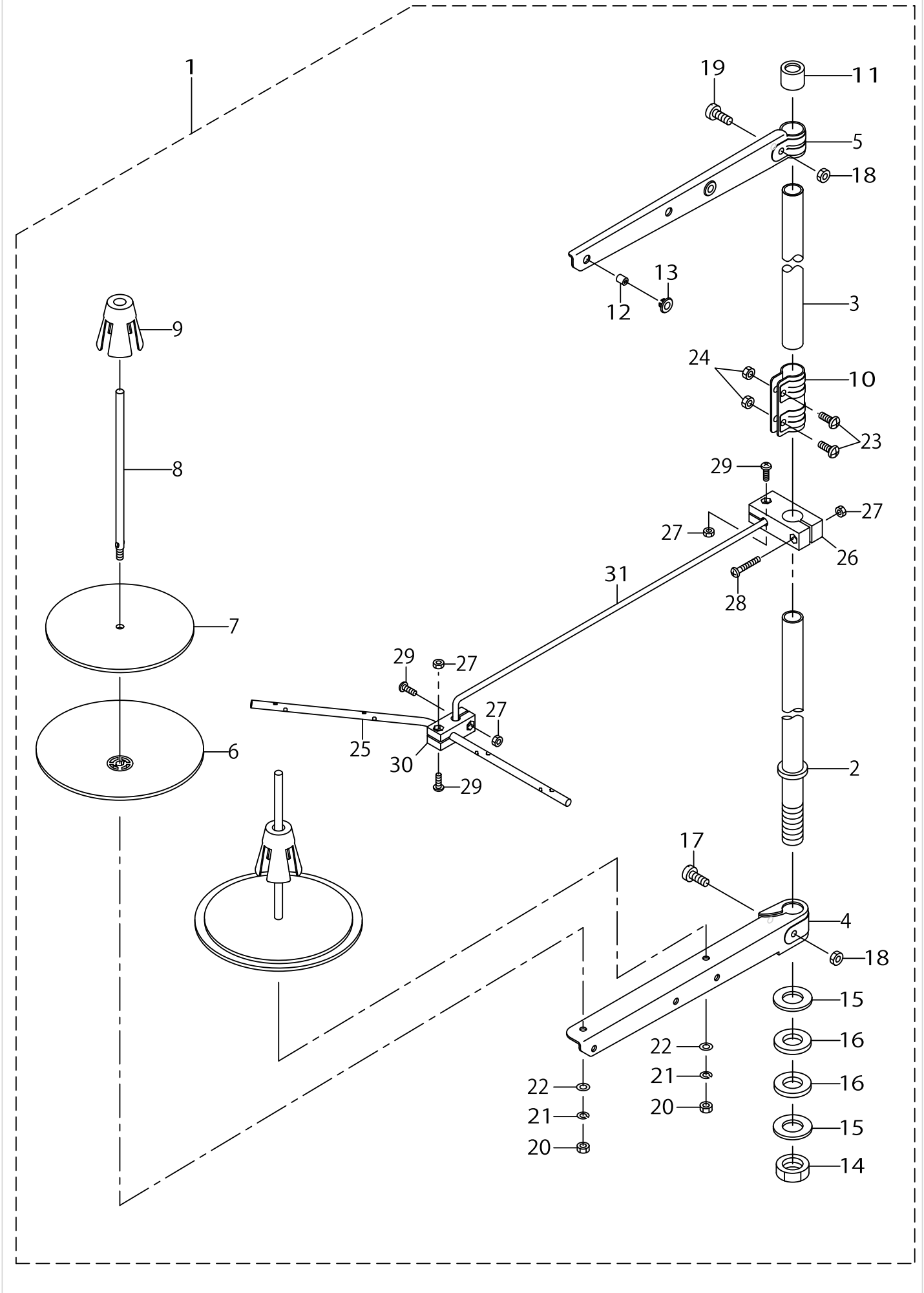
LUBRICATION COMPONENTS

No.	C- ons	Le- vel	Parts No.	Replacement	Supply Code	Parts name	Qty	R- ep- Q- TY	Status	Spec	Remarks
1			40112320			FELT	1				
2			13142609			OIL_TUBE_HOLDER	5				
3			23630007			TUBE	.1				
4			23630007			TUBE	.4				
5			23630007			TUBE	.12				
6			23630007			TUBE	.08				
7			23630007			TUBE	.31				
8			23630007			TUBE	.4				
9			23630007			TUBE	.02				
10			23630007			TUBE	.22				
11			23630106			TUBE_B	.32				
12			22935308	11100104		MAGNET_CORD_RUBBER	3	1.00			
13			13765607			OIL_CONNEC_ARM	1				
14			40112318			OIL_SUPPLY_FELT	1				
15			40112246			OIL_SUPPLY	1				
16			SM6040802TP			SCREW_M4X0.7_L=8	4				
17			40069741			OIL_REGULATING_VALVE	1				
18			B1843563000			OIL_ADJUSTING_SCREW	1				
19			NS6110310SP			NUT_11/64-40	1				
20			WP0450846SP			WASHER	2				
21			40028294			FEED_ADJUSTING_CAP	1				
22			SM4040855SP			SCREW	1				
23			23628357			FLOATER_ASM.	1				
24			40036167			OIL_GAGE	1				
25			CQ303000000			OIL_WICK	.26				
26			23630106			TUBE_B	.09				
27			23630650			OIL_FILTER_JOINT_ASM.	2				
28	☆	*	23630403	23630650		OIL_FILTER_STOPPER	1	1.00			
29		*	23630502	23630650		OIL_FILTER	1	1.00			
30		*	23630601			OIL_FILTER_JOINT	1				
31			23630601			OIL_FILTER_JOINT	6				
32			23630106			TUBE_B	.03				
33			23629405			PIPE_STOPPER_B	8				
34			40032804			BASE	1				
35			40125929			OIL_TANK	1				
36			40013595			OIL_EXIT_CAP	1				
37			RO098240100			RUBBER_RING	1				
38			SL6051092TN			BOLT	3				
39			SM8050512TP			SCREW	1				
40			40101721			ECCENTRIC_CAM	1				
41			40101719			PUMP_BASE_ASSY	1				
42		*	40102249	40101719		PUMP_BASE_ASM.	1	1.00			
43		*	40101715	40101719		PUMP_BASE_TOP	1	1.00			
44		*	40101716	40101719		PUMP_BASE_BOTTOM	1	1.00			
45		*	40101717			GASKET_SHEET	1				
46		*	SM6031202TP			SCREW_M3X0.5_L=12	4				
47		*	40101713	40101719		OVAL_PLUNGER	2	1.00			
48		*	40116455			OVAL_O_RING	4				
49		*	40116456	40101719		SPRING	2	1.00			
50		*	40116457			FREE_VALVE	2				
51		*	40116458			SPRING	2				
52		*	40116459			CONNECTING_SCREW	2				
53		*	40101714			PLUNGER_HOLD_PLATE	1				
54			HX00150000M			CABLE_CLIP	1				
55			SL4041091SC			SCREW_M4_L=10	1				
56			EA9500B0100			CABLE_BAND	3				
57			SQ2050452MZ			CONNECTING_SCREW	1				
58			B1843563000			OIL_ADJUSTING_SCREW	1				
59			40126582			RUBBER_PLUG	1				
60			NM6050003SC			NUT_M5X0.8	1				

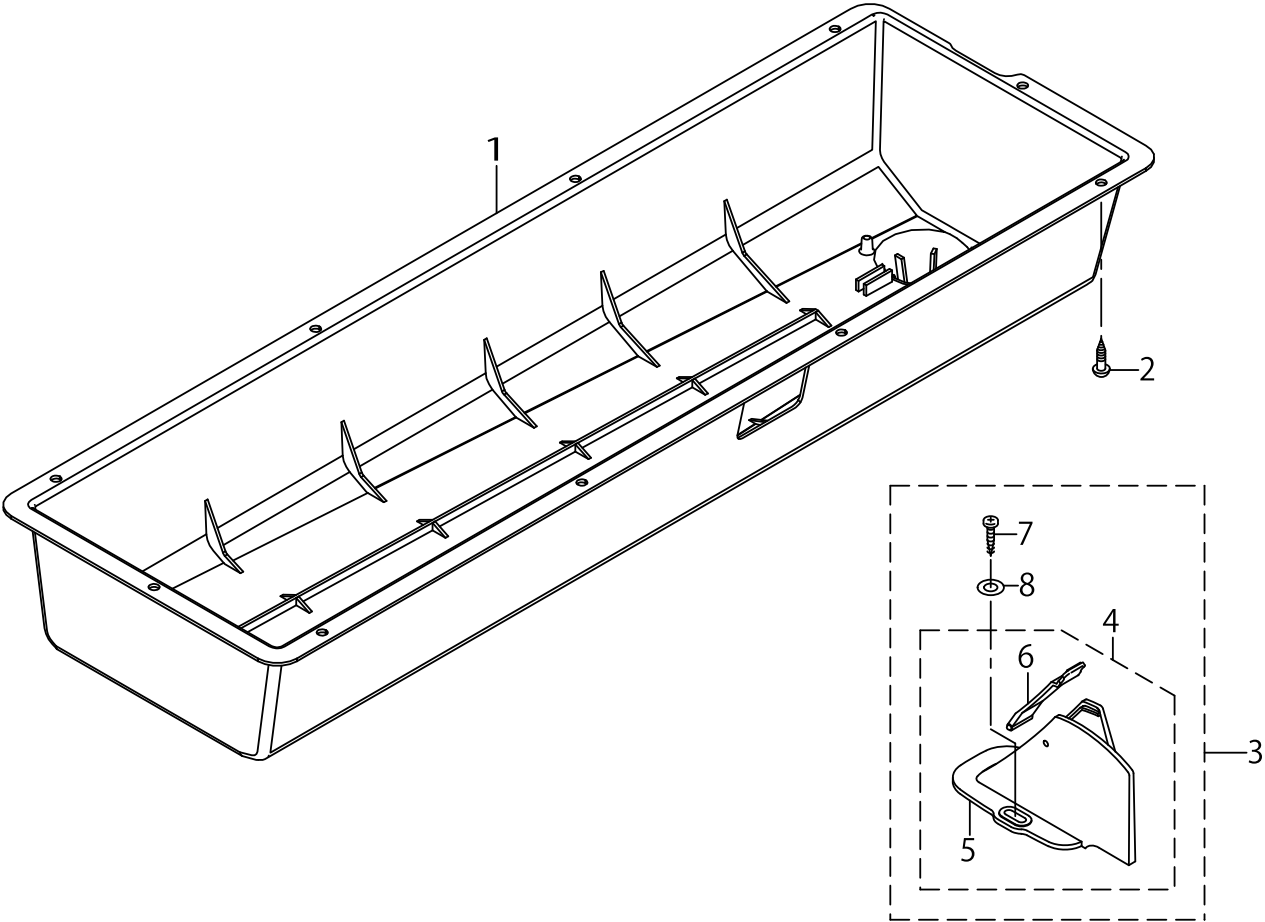
LUBRICATION COMPONENTS



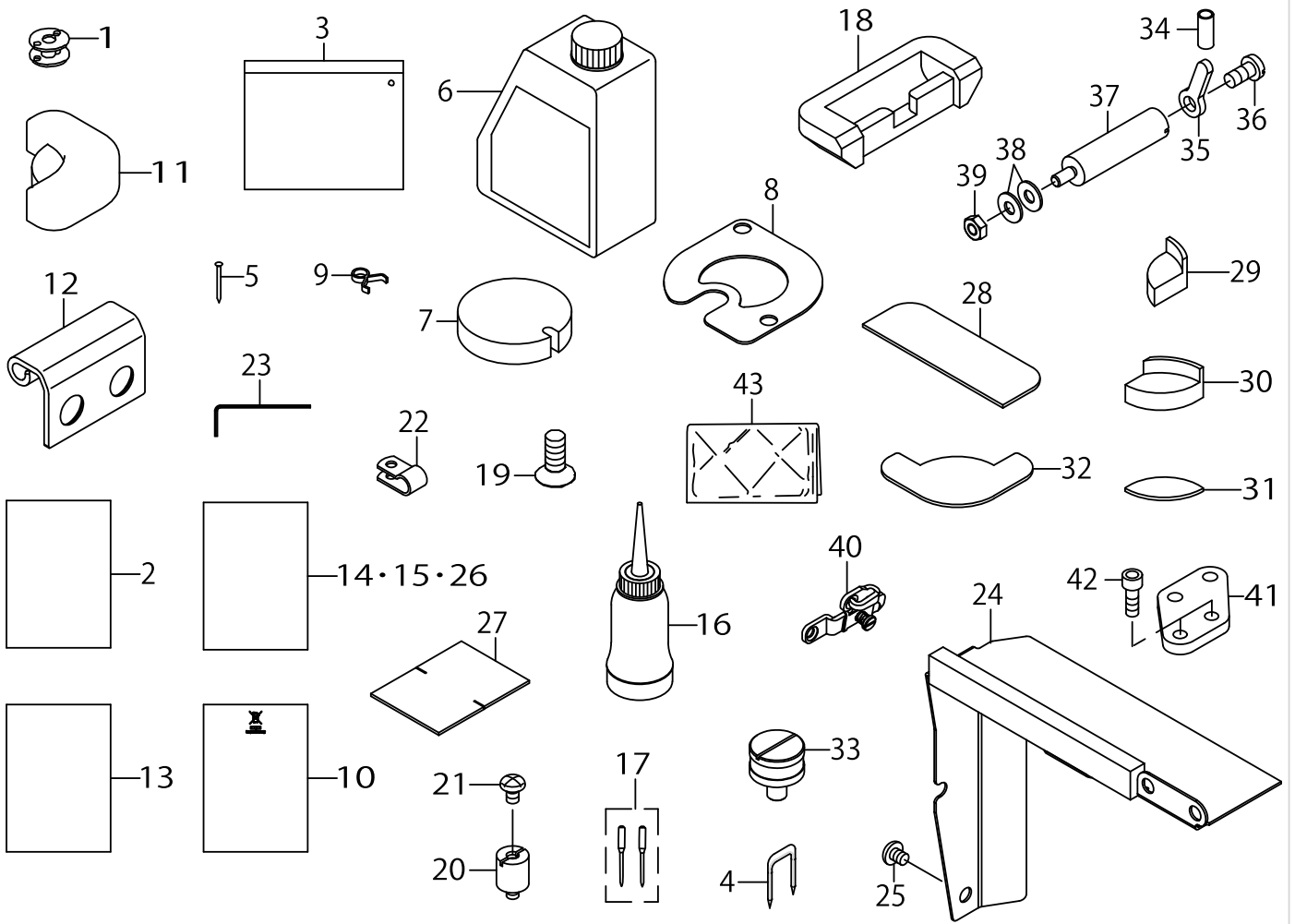
THREAD STAND COMPONENTS



BOTTOM COVER & BELT COVER COMPONENTS



ACCESSORIES PARTS COMPONENTS



ACCESSORIES PARTS COMPONENTS

No.	C- ons	Le- vel	Parts No.	Replacement	Supply Code	Parts name	Qty	R- ep- Q- TY	Status	Spec	Remarks
1	☆		40147913			BOBBIN_XXL	1				
2			40151454			PARTS_LIST	1				
3			21413158			ACCESSORY_BAG_ASM.	1				
4			MAO11532000			CORD_STAPLE	3				
5			10539906			SET_NAIL	16				
6			40102087		Disconinue	JUKI_MACHINE_OIL_7	1				
7			40126405			OIL_FILTER	1				
8			40126267			FELT HOLDER	1				
9			23629306			PIPE_STOPPER_A	2				
10			CM600100201			WEEE_INFORMATION_SHEE	1				FOR JE
11			40151800			CUSHION_RUBBER	2				
12			40125869			HINGE	2				
13			40142430			DECLARATION_OF_INCORI	1				FOR JE
14			40151451			INSTRUCTION_MANUAL_1K	1				FOR CHINA
15			40151452			INSTRUCTION_MANUAL_4K	1				EXCEPT CHINA
16			B91210120A0			OILER_ASM.	1				
17	☆		MC321001402	MC321001400		NEEDLE_134-35_#140-2	1	1.00			
18			40151801			HINGE_RUBBER	2				
19			B1516210D00			SCREW	4				
20			40126222			CP_SPACER	2				
21			SM4050855SP			SCREW	2				
22			HX00150000B			CABLE_CLIP	2				
23			40079298			WRENCH	1				
24			40149045			OIL_SHIELD_PLATE_ASSY	1				
25			SM4050655SP			SCREW_M5_L=6	4				
26			40151453			INSTRUCTION_MANUAL_9K	1				FOR JE
27			40133730			OIL_FILTER	1				
28			40151802			SPACER_RUBBER	8				
29			40151803			RUBBER_CUSHION_LEFT	1				
30			40151804			RUBBER_CUSHION_RIGHT	1				
31			40151805			RUBBER_CUSHION_SHEET	4				
32			10740900			RUBBER	8				
33			22622401			SYNCRO_FRNGE	1				FOR LU-2828-6
34			BT0630520Z0			HOLDER_COVER	.015				FOR LU-2828-6
35			40142036			SYNCHRONIZER_HOLD_PL#	1				FOR LU-2828-6
36			SM4061255SP			SCREW_M6_L=12	1				FOR LU-2828-6
37			40142037			SYNCHRONIZER_HOLD_STU	1				FOR LU-2828-6
38			WP0551016SH			WASHER_5.5X13X1	2				FOR LU-2828-6
39			NM6050001SP			NUT_M5	1				FOR LU-2828-6
40			40034675			THREAD_GUIDE_ASM_E	1				
41			40112214			EDGE_GUIDE_FITTING_PLA	1				
42			SM6051402TP			SCREW_M5X0.8_L=14	2				
43			40048536			HEAD_COVER	1				

NUMERICAL INDEX OF PARTS

PART NO	PAGE	REF NO.	PART NO	PAGE	REF NO.	PART NO	PAGE	REF NO.
10320109	48	25	22606305	8	17	23630106	60	72
10539906	66	5	22606404	8	22	23630403	58	28
10546901	6	35	22607600	8	18	23630502	58	29
10697506	48	14	22607709	8	19	23630601	58	31
10710804	18	2	22607808	8	20	23630650	58	27
10711653	20	73	22607907	8	21	23631708	34	22
10712552	20	63	22617807	48	16	23631708	36	20
10721504	6	39	22618201	48	7	23631807	34	23
10740900	66	32	22618706	48	24	23631807	36	21
11015906	60	69	22622401	66	33	23631906	34	24
12210803	60	74	22901805	2	6	23631906	36	22
12288908	26	70	22902506	2	16	23632102	34	20
12938304	48	17	22904106	24	35	23632102	36	23
13142609	58	2	22904155	18	44	23638406	40	2
13142609	60	66	22904155	24	34	23638406	42	2
13409107	22	10	22911804	28	41	26017400	26	71
13424502	30	70	22912000	28	8	26018705	26	62
13441001	36	11	22912109	28	43	26229302	28	28
13718507	56	16	22912257	48	1	26231902	44	33
13737804	44	17	22913008	20	64	26260109	56	2
13765607	58	13	22913008	24	5	26260307	56	3
13817408	48	6	22921308	56	27	26260406	56	4
13860408	52	34	22921407	56	31	26260505	56	6
13951009	22	24	22921506	56	28	26260802	56	8
18035006	30	67	22921704	56	29	26261008	56	9
18035105	30	68	22935308	58	12	26261503	56	11
18035303	22	13	22945703	48	19	32055501	50	6
18035501	32	6	22945802	48	22	40006716	22	2
18035709	34	16	22949101	22	17	40006716	36	12
18035709	36	8	22951552	2	26	40010437	6	22
18035808	26	85	22954309	48	2	40010438	6	23
18035907	26	86	22956205	44	2	40010439	6	24
18036004	30	80	22957104	44	3	40010440	6	25
18036103	30	81	22957203	44	4	40010533	6	19
21333901	10	47	22963409	48	20	40010534	6	20
21387600	10	33	23542418	50	1	40010535	6	21
21387709	10	34	23605207	6	47	40010709	8	1
21387808	10	35	23613409	30	86	40011902	6	31
21387907	10	36	23628357	58	23	40012499	44	28
21413158	66	3	23629306	66	9	40013595	58	36
21470505	44	18	23629405	58	33	40021606	44	43
22528509	48	35	23630007	28	17	40023627	20	92
22528806	48	18	23630007	58	10	40028294	58	21
22529408	48	21	23630007	60	76	40030950	52	13
22606206	8	16	23630106	58	32	40032804	58	34

NUMERICAL INDEX OF PARTS

PART NO	PAGE	REF NO.	PART NO	PAGE	REF NO.	PART NO	PAGE	REF NO.
40034675	66	40	40101719	58	41	40112251	44	20
40036167	58	24	40101721	58	40	40112252	14	15
40038494	18	29	40102087	66	6	40112253	10	2
40038494	24	33	40102249	58	42	40112267	28	55
40048536	66	43	40102261	2	4	40112270	8	12
40052253	10	3	40105508	38	1	40112272	8	13
40069741	58	17	40105509	38	4	40112273	8	9
40075542	16	14	40105510	38	7	40112274	6	10
40075547	16	18	40105518	52	25	40112281	28	13
40075548	16	19	40106576	62	31	40112282	28	14
40079298	66	23	40106579	62	26	40112285	50	11
40079898	16	6	40106580	62	30	40112288	34	19
40079899	16	7	40106582	62	25	40112296	64	4
40079900	16	8	40112087	6	1	40112312	6	3
40079902	16	10	40112091	6	27	40112313	64	6
40079903	16	11	40112092	6	28	40112314	64	5
40079909	16	15	40112093	6	29	40112318	58	14
40079912	16	20	40112094	6	30	40112320	58	1
40084142	2	30	40112106	6	5	40113224	10	42
40085784	62	2	40112118	24	18	40116455	58	48
40085785	62	3	40112127	28	11	40116456	58	49
40085786	62	4	40112128	28	12	40116457	58	50
40085787	62	5	40112140	34	5	40116458	58	51
40085788	62	6	40112152	8	7	40116459	58	52
40085789	62	7	40112176	18	3	40122887	28	42
40085790	62	8	40112184	22	3	40123247	10	27
40085791	62	9	40112187	22	14	40123252	24	29
40085792	62	10	40112188	22	15	40123262	18	22
40085793	62	11	40112191	32	7	40123319	18	21
40085794	62	12	40112192	32	11	40123320	18	23
40085795	62	13	40112197	18	39	40123321	18	24
40085796	62	16	40112199	18	40	40123340	10	6
40086679	50	15	40112204	48	9	40123345	20	62
40088958	56	26	40112213	34	21	40123345	26	67
40088959	56	30	40112213	36	26	40123346	26	68
40090058	18	13	40112214	66	41	40123414	18	33
40094561	2	44	40112215	38	8	40123416	18	32
40096325	62	14	40112216	38	10	40123547	24	16
40096326	62	17	40112218	48	10	40123555	18	34
40096327	62	19	40112219	48	11	40123626	24	14
40101713	58	47	40112228	34	9	40123627	24	24
40101714	58	53	40112228	36	3	40123629	24	17
40101715	58	43	40112240	10	30	40123634	18	15
40101716	58	44	40112242	10	21	40123634	24	19
40101717	58	45	40112246	58	15	40123639	24	26

NUMERICAL INDEX OF PARTS

PART NO	PAGE	REF NO.	PART NO	PAGE	REF NO.	PART NO	PAGE	REF NO.
40123664	18	4	40126160	18	25	40126560	64	3
40123665	18	5	40126166	18	9	40126562	50	14
40123666	24	1	40126167	18	1	40126563	50	13
40123668	24	23	40126221	2	32	40126582	58	59
40125843	24	13	40126222	66	20	40126594	56	5
40125844	56	25	40126223	18	28	40126642	28	46
40125850	18	42	40126259	40	4	40126643	28	47
40125851	56	7	40126259	42	4	40126724	48	13
40125852	18	6	40126260	40	1	40127041	8	8
40125854	18	7	40126263	50	3	40127056	2	11
40125856	24	22	40126264	18	31	40130277	6	4
40125857	24	25	40126265	48	3	40130593	44	15
40125861	18	12	40126266	52	24	40130702	6	2
40125862	10	37	40126267	66	8	40130704	2	15
40125864	28	22	40126269	18	30	40130706	2	21
40125867	18	16	40126311	56	14	40131591	28	21
40125868	20	86	40126321	6	9	40131592	30	82
40125869	66	12	40126338	18	27	40131592	36	17
40125870	22	5	40126339	24	28	40131593	34	3
40125872	34	4	40126351	14	1	40131594	28	24
40125873	48	4	40126354	56	10	40131595	30	84
40125876	20	61	40126355	56	1	40131596	28	44
40125920	28	39	40126357	24	12	40131597	26	75
40125926	20	88	40126359	26	66	40131599	28	6
40125927	56	13	40126360	14	7	40131600	28	58
40125928	56	24	40126364	22	6	40131601	28	5
40125929	58	35	40126365	10	23	40131602	24	27
40125930	6	32	40126366	10	38	40131603	34	2
40125935	26	65	40126367	22	1	40131604	34	8
40125937	18	8	40126372	10	20	40131605	30	83
40125943	18	14	40126373	48	5	40131607	26	79
40125948	50	2	40126374	20	87	40131608	34	6
40125949	50	4	40126375	24	21	40131609	28	30
40125950	6	6	40126381	10	4	40131610	28	38
40126116	28	20	40126382	12	63	40131616	44	41
40126127	52	31	40126390	18	26	40131617	44	29
40126129	34	26	40126391	14	6	40131619	26	73
40126130	44	35	40126400	18	41	40131620	24	6
40126131	40	5	40126401	24	10	40131621	24	4
40126150	22	4	40126402	8	5	40131625	2	42
40126151	24	15	40126404	48	12	40131629	10	1
40126155	64	1	40126405	66	7	40131631	24	30
40126157	18	59	40126545	52	9	40131633	44	10
40126158	20	60	40126549	56	23	40131635	44	11
40126159	18	58	40126550	56	12	40131636	44	6

NUMERICAL INDEX OF PARTS

PART NO	PAGE	REF NO.	PART NO	PAGE	REF NO.	PART NO	PAGE	REF NO.
40131637	44	14	40142050	44	30	40147930	44	5
40131638	44	8	40142051	50	17	40147932	44	58
40131640	44	7	40142052	2	41	40147933	44	59
40131641	54	1	40142053	42	5	40147934	46	60
40133730	66	27	40142054	38	9	40147935	46	61
40134532	6	34	40142057	2	57	40147936	46	62
40134545	6	33	40142064	38	6	40147937	44	52
40134805	2	13	40142065	42	1	40147938	44	54
40134834	2	28	40142200	28	2	40147939	2	38
40134967	44	49	40142201	28	3	40147944	2	12
40134982	24	7	40142202	22	21	40148037	16	16
40134993	28	49	40142208	34	10	40149030	16	2
40134994	28	51	40142213	62	1	40149032	16	4
40135014	18	17	40142336	2	5	40149033	16	5
40135472	14	9	40142430	66	13	40149034	16	9
40135473	14	4	40143082	10	11	40149035	16	12
40135475	14	8	40143083	6	11	40149036	16	13
40135498	44	12	40143084	10	9	40149037	16	17
40135816	26	80	40143085	24	51	40149039	28	15
40135860	28	37	40143086	10	22	40149040	2	24
40135897	44	26	40143087	24	50	40149041	2	48
40135955	44	50	40143088	6	16	40149042	2	1
40137611	52	12	40143185	10	60	40149043	44	27
40137971	54	2	40143188	12	61	40149044	54	4
40137997	24	11	40143220	8	6	40149045	66	24
40138020	26	81	40143221	8	28	40149047	16	3
40138418	10	54	40143581	12	62	40149115	20	74
40138419	10	55	40143624	22	22	40149116	20	75
40138420	10	56	40143624	28	36	40149117	20	76
40138421	10	57	40143624	30	69	40149118	20	77
40138422	10	58	40143626	24	2	40149120	20	78
40138423	10	59	40145548	18	35	40149121	20	79
40139043	10	19	40145549	18	36	40149122	20	80
40139477	6	41	40145550	18	37	40149123	20	81
40139478	6	42	40147912	16	1	40149125	20	82
40139479	6	44	40147913	16	21	40149126	20	83
40139480	6	43	40147913	66	1	40149127	20	84
40139485	36	14	40147915	14	3	40149128	20	85
40139486	36	15	40147918	2	10	40149304	54	5
40142036	66	35	40147919	2	52	40150059	28	1
40142037	66	37	40147925	52	18	40150131	2	46
40142040	36	9	40147926	44	46	40151451	66	14
40142041	36	1	40147927	44	39	40151452	66	15
40142048	36	19	40147928	44	42	40151453	66	26
40142049	36	27	40147929	44	45	40151454	66	2

NUMERICAL INDEX OF PARTS

PART NO	PAGE	REF NO.	PART NO	PAGE	REF NO.	PART NO	PAGE	REF NO.
40151488	6	8	BT0400251EB	36	7	HX00150000M	52	39
40151791	56	15	BT0400251EB	52	22	HX00150000M	58	54
40151799	2	51	BT0600401EB	52	16	MAO11532000	66	4
40151800	66	11	BT0630520Z0	66	34	MC321001400	8	14
40151801	66	18	BT0800501EB	52	17	MC321001402	66	17
40151802	66	28	CM300200001	2	14	NM6030001SC	50	7
40151803	66	29	CM600100101	2	45	NM6040002SC	62	27
40151804	66	30	CM600100201	66	10	NM6050001SD	26	78
40151805	66	31	CQ202000000	18	46	NM6050001SD	28	29
40152022	56	34	CQ202000000	20	72	NM6050001SE	34	18
40152451	8	2	CQ202000000	24	48	NM6050001SE	62	24
40153570	30	90	CQ202000000	60	68	NM6050001SP	52	35
40153571	30	91	CQ252000000	8	26	NM6050001SP	66	39
40153572	30	92	CQ252000000	18	48	NM6050003SC	58	60
40154199	20	91	CQ252000000	20	68	NM6060001SD	18	19
B111105100B	2	54	CQ303000000	58	25	NM6060001SD	28	18
B1111563000	2	35	CQ303000000	60	73	NS6110310SP	44	21
B125578100A	24	32	CS100081CSP	30	72	NS6110310SP	48	23
B1308055000	10	39	CS1201171TP	30	71	NS6110310SP	58	19
B1310055000	10	40	CS1701181TP	8	3	NS6110310SP	60	63
B1314055000	10	41	D1231555B00	18	43	NS6680410SP	26	63
B1438512B00	8	15	D1231555B00	24	31	PA200150900	28	10
B1504210000	32	1	D2112555B00	2	56	PA200150900	30	66
B1516210D00	66	19	D2629M1YC0F	28	27	PA200200500	26	77
B1639051000	10	31	E2613700000	18	20	PA2004004A0	36	5
B1843563000	58	58	E8760452D00	40	6	PA250250900	32	12
B185351200E	44	1	EA9500B0100	4	62	PA400150200	22	16
B2528845000	2	59	EA9500B0100	28	45	PF055107000	52	29
B255728000A	10	49	EA9500B0100	34	27	PJ025100003	52	33
B255728000B	10	50	EA9500B0100	36	31	PJ032052503	26	87
B255728000C	10	51	EA9500B0100	50	16	PJ046052503	28	54
B255728000D	10	52	EA9500B0100	52	42	PJ046052503	30	74
B255728000E	10	53	EA9500B0100	58	56	PJ046052503	34	14
B3031141H00	32	3	EA9500B0200	52	41	PJ046052503	36	6
B3112704000	48	8	HA004680000	40	7	PJ046052503	52	21
B3126012000	48	31	HK063610220	40	10	PJ301040001	52	32
B31375270A0	48	15	HK075230000	40	9	PJ304040504	32	5
B3538112000	10	5	HW000840040	40	8	PJ308065101	52	30
B91210120A0	66	16	HX00055000E	2	50	PS0350102KR	28	50
BT0400251EB	22	23	HX00065000A	36	32	PV150206000	52	20
BT0400251EB	26	84	HX00150000B	36	29	PV150209000	52	11
BT0400251EB	28	53	HX00150000B	66	22	RC0150001KP	18	45
BT0400251EB	30	79	HX00150000C	52	6	RC0150001KP	24	37
BT0400251EB	32	13	HX00150000H	2	60	RC0560711KP	14	2
BT0400251EB	34	13	HX00150000H	52	38	RC0560711KP	56	17

NUMERICAL INDEX OF PARTS

PART NO	PAGE	REF NO.	PART NO	PAGE	REF NO.	PART NO	PAGE	REF NO.
RC0650811KP	24	49	SM0030601SC	56	18	SM6040650TP	26	69
RC0740816K0	10	8	SM0050801SC	18	53	SM6040802TP	14	11
RC2351018KP	10	7	SM0051001SC	56	32	SM6040802TP	44	25
RE0300000K0	44	53	SM1030601SN	44	47	SM6040802TP	58	16
RE0320000K0	32	4	SM1040750TP	2	43	SM6041002TP	44	19
RE0400000K0	22	25	SM1051052TN	2	37	SM6041202TP	44	57
RE0500000K0	10	32	SM1061201SN	10	44	SM6041802TP	60	67
RE0500000K0	18	49	SM4021601SN	40	3	SM6050800SP	26	72
RE0500000K0	48	36	SM4021601SN	42	3	SM6050802TP	22	9
RE1200000K0	24	38	SM4030601SN	18	10	SM6050802TP	30	59
RO037180100	48	26	SM4040655SP	2	36	SM6050802TP	34	11
RO092270200	28	56	SM4040655SP	44	34	SM6050802TP	52	19
RO098240100	58	37	SM4040855SP	2	55	SM6051000SP	18	52
SB108002400	6	40	SM4040855SP	36	30	SM6051202TP	28	34
SB120001800	6	13	SM4040855SP	52	40	SM6051202TP	30	87
SB120001800	10	28	SM4040855SP	58	22	SM6051202TP	36	18
SB125000600	18	50	SM4041201SC	62	29	SM6051202TP	52	37
SB30800140A	44	32	SM4041255SP	4	61	SM6051400SP	28	33
SD0450401SP	48	27	SM4042501SC	62	28	SM6051402TP	10	18
SD0500726TP	44	16	SM4050501SC	8	23	SM6051402TP	66	42
SD0550271TP	50	8	SM4050655SP	66	25	SM6051602TP	26	76
SD0640322TP	10	43	SM4050855SP	2	58	SM6051602TP	30	62
SD0650321TP	44	22	SM4050855SP	28	32	SM6051802TP	22	8
SD0800329TP	44	24	SM4050855SP	34	7	SM6052502TN	36	10
SD0800346TP	28	57	SM4050855SP	36	28	SM6054002TN	26	82
SD0800406TP	30	89	SM4050855SP	48	37	SM6054502TN	6	45
SD0800406TP	34	17	SM4050855SP	66	21	SM6054502TN	22	20
SD0800426TP	30	63	SM4051001SN	48	33	SM6054502TP	28	19
SD0802126TP	18	18	SM4051055SP	2	29	SM6054502TP	32	10
SD0900426TP	28	48	SM4051255SP	50	12	SM6056552TP	34	15
SD1021251SP	24	20	SM4051405SE	62	23	SM6061002TP	32	8
SK3412000SC	64	7	SM4055501SC	2	23	SM6061002TP	34	12
SK3482001SE	52	28	SM4061255SP	66	36	SM6061002TP	36	2
SK3482001SE	64	2	SM5040655SN	56	19	SM6061010TP	30	60
SK3512001SE	52	15	SM6030602TP	44	23	SM6061202TP	18	54
SL4040691SC	40	11	SM6030602TP	50	9	SM6061202TP	44	38
SL4040691SC	42	6	SM6030602TP	52	23	SM6061402TP	26	61
SL4040881SC	28	31	SM6031202TP	56	20	SM6061402TP	28	26
SL4041091SC	52	10	SM6031202TP	58	46	SM6061602TP	22	19
SL4041091SC	58	55	SM6040502TP	10	12	SM6061602TP	24	52
SL4041491SC	38	11	SM6040600SP	2	49	SM6061602TP	30	61
SL4051091SC	34	1	SM6040602TP	10	13	SM6061602TP	32	9
SL4051091SC	36	4	SM6040650TP	8	10	SM6061802TP	10	15
SL6051092TN	58	38	SM6040650TP	10	14	SM6061802TP	24	53
SL6052592TN	6	17	SM6040650TP	18	51	SM6061802TP	26	74

NUMERICAL INDEX OF PARTS

PART NO	PAGE	REF NO.	PART NO	PAGE	REF NO.	PART NO	PAGE	REF NO.
SM6061802TP	60	61	SS4110615SP	48	29	WS0510002KN	62	21
SM6062002TP	18	55	SS6090580TP	44	55	WT1780011KP	28	25
SM6081552TP	22	18	SS6111052TP	24	60	WZ1052010KP	22	11
SM6850400SP	44	51	SS6121860SP	28	40			
SM8030312TP	44	48	SS6121860SP	30	65			
SM8040412TP	2	53	SS7090910TP	8	11			
SM8040412TP	24	54	SS7110740TP	34	25			
SM8040612TP	14	12	SS7110740TP	36	25			
SM8050412TP	10	16	SS8080410TP	8	27			
SM8050412TP	28	16	SS8110422TP	24	39			
SM8050412TP	30	88	SS8110422TP	44	44			
SM8050502TP	56	21	SS8110520TP	30	73			
SM8050512TP	58	39	SS8111010TP	10	45			
SM8050612TP	14	14	SS8151550SP	6	49			
SM8050612TP	18	11	SS8660610TP	24	36			
SM8050612TP	24	57	SS8660612TP	10	48			
SM8050612TP	36	16	SS8661012TP	48	34			
SM8050612TP	54	3	ST4041451SN	52	27			
SM80506A2TP	10	17	TA0500301R0	8	24			
SM80506A2TP	44	37	TA0620504R0	8	25			
SM8050812TP	6	7	TA1030402R0	2	17			
SM8050812TP	24	56	TA1250406R0	2	19			
SM8050842TP	24	55	TA1270502R0	2	18			
SM8051002TP	56	33	TA1650406R0	2	47			
SM8060412TP	28	35	WP0320501SE	50	10			
SM8060552TP	18	57	WP0430800SD	20	89			
SM8060612TP	6	37	WP0430801SC	52	26			
SM8060612TP	8	4	WP0450000SD	44	31			
SM8060612TP	14	13	WP0450826SC	56	22			
SM8060612TP	18	56	WP0450846SP	58	20			
SM8060612TP	22	7	WP0460556SD	48	32			
SM8060612TP	24	58	WP0501016SD	48	30			
SM8060612TP	30	85	WP0501016SD	52	14			
SM8060612TP	36	13	WP0501016SD	64	8			
SM8060812TP	6	26	WP0531001SC	6	46			
SM8060812TP	10	29	WP0531001SC	62	22			
SM8060812TP	24	59	WP0551016SH	66	38			
SM80608A2TP	6	48	WP0612066SP	14	10			
SM8061002TP	44	9	WP0651001SC	20	90			
SM8080812TP	6	38	WP0740516SP	14	5			
SQ2050452MZ	58	57	WP0740516SP	24	3			
SS1090520TP	44	56	WP0740516SP	26	64			
SS2060310SP	8	29	WP0820516SP	6	36			
SS3090710TP	48	28	WP1612616SE	62	15			
SS4090515SP	50	5	WS0510002KN	52	36			